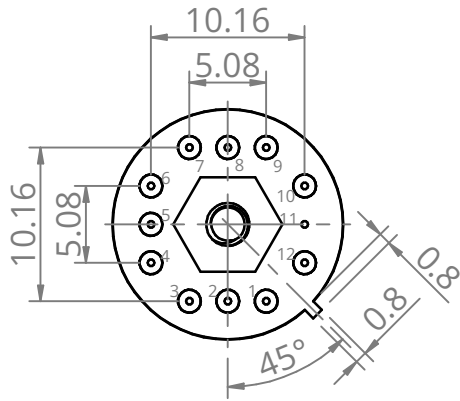
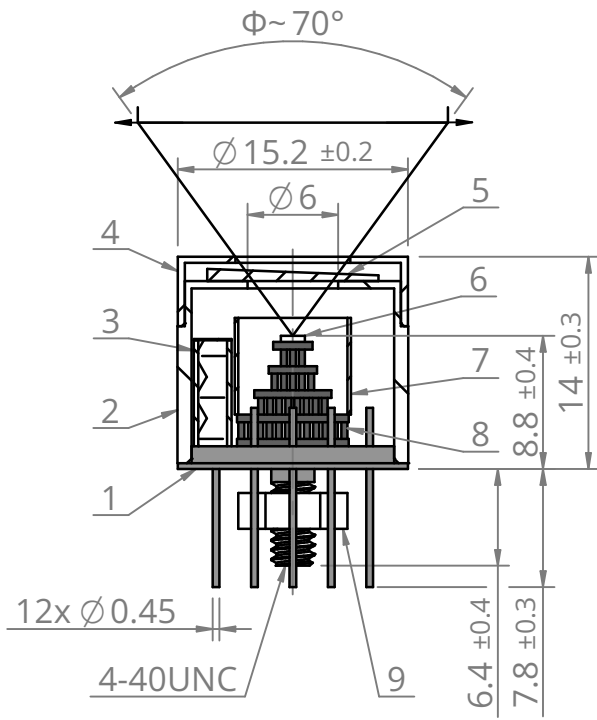
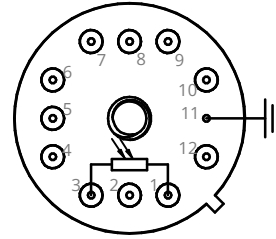


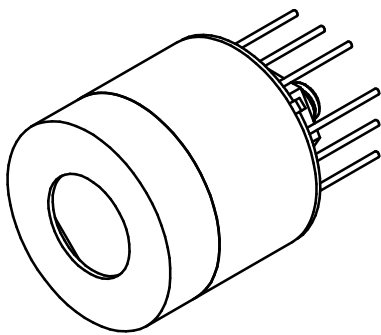
Bottom view



Bottom view
Photoconductive



Pinout	
Pin No.	Connection
1	Active element
2	TE cooler (+)
3	Active element
4	Not used
5	Not used
6	Not used
7	Thermistor
8	TE cooler (-)
9	Thermistor
10	Not used
11	Chassis ground
12	Not used



Φ - Acceptance angle

9	4-40 UNC A2 nut	Stainless steel
8	Thermoelectric cooler	
7	Anticonvection carrier	POM
6	Active element	HgCdTe/InAs/InAsSb/GaAs
5	Window	Al ₂ O ₃ /ZnSe AR
4	Detector cap	Stainless steel
3	Humidity absorber container	Stainless steel
2	Detector case	Stainless steel
1	TO8 header	Gold plated Kovar
No.	Name	Material

FIRST ANGLE
PROJECTION



UNIT: mm
GENERAL TOLERANCE:
ISO 2768-mK

Scale
2:1

Sheet
1/1

Size
A4

This document is the property of VIGO Photonics S.A. and may not be disclosed to third parties, copied or used in whole or in part for any purpose without written permission from VIGO Photonics S.A.

Date
14.03.2024

Drawing No.
ZTM-TO8-Z042

Rev.
1

Title
4TE-TO8(12p)-wW, PC detector

VIGO
PHOTONICS