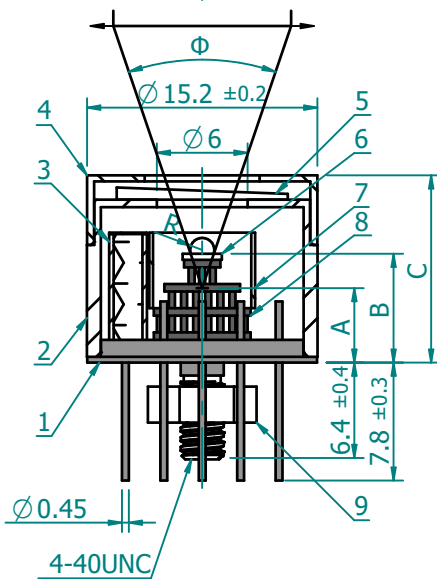
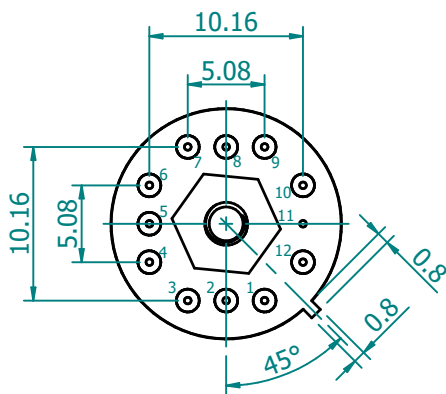


Bottom view



Two-stage thermoelectric cooler - 2TE				
Immersion lens shape	Hyperhemisphere			Without lens
Detector optical area [mm ²]	0.5x0.5	1x1	2x2	0.01x0.01 - 4x4
R [mm]	0.5	0.8	1.25	infinity
A [mm]	4.1±0.3	3.2±0.3	1.85±0.3	5.6±0.3
B [mm]	5.6±0.3	5.6±0.3	5.6±0.3	5.6±0.3
C [mm]	11±0.3	11±0.3	11±0.3	11±0.3
Acceptance angle Φ	~36°	~36°	~36°	~70°

Three-stage thermoelectric cooler - 3TE				
Immersion lens shape	Hyperhemisphere			Without lens
Detector optical area [mm ²]	0.5x0.5	1x1	2x2	0.01x0.01 - 4x4
R [mm]	0.5	0.8	1.25	infinity
A [mm]	5.7±0.35	4.8±0.35	3.45±0.35	7.2±0.35
B [mm]	7.2±0.35	7.2±0.35	7.2±0.35	7.2±0.35
C [mm]	12.4±0.3	12.4±0.3	12.4±0.3	12.4±0.3
Acceptance angle Φ	~36°	~36°	~36°	~70°

Four-stage thermoelectric cooler - 4TE				
Immersion lens shape	Hyperhemisphere			Without lens
Detector optical area [mm ²]	0.5x0.5	1x1	2x2	0.01x0.01 - 4x4
R [mm]	0.5	0.8	1.25	infinity
A [mm]	7.3±0.4	6.4±0.4	5±0.4	8.8±0.4
B [mm]	8.8±0.4	8.8±0.4	8.8±0.4	8.8±0.4
C [mm]	14±0.3	14±0.3	14±0.3	14±0.3
Acceptance angle Φ	~36°	~36°	~36°	~70°

A - Distance from the bottom of the TO8 header to the focal plane

Pinout	
Detector	1 and 3
Reverse bias (optional)	1(-) and 3(+)
Thermistor	7 and 9
TE cooler supply	2(+) and 8(-)
Chassis ground	11
Not used	4, 5, 6, 10, 12

9	4-40 UNC A2 nut	Stainless steel
8	Thermoelectric cooler	
7	Anticonvection shield	POM
6	Detector on sapphire pad	HgCdTe/InAs/InAsSb/GaAs/Sapphire
5	Window	Al ₂ O ₃ / ZnSe AR
4	Detector cap	Stainless steel
3	Humidity absorber container	Stainless steel
2	Detector case	Stainless steel
1	TO8 header	Gold plated Kovar
No.	Name	Material

FIRST ANGLE PROJECTION	UNIT: mm GENERAL TOLERANCE: ISO 2768-mK	Scale 2:1	Sheet 1/1	Size A4	This document is the property of VIGO System S.A. and may not be disclosed to third parties, copied or used in whole or in part for any purpose without written permission from VIGO System S.A.
Date 23.04.2020	Drawing No. ZWP-TO8-Z000	Rev. 7	Weight 7±1	Title Photovoltaic detector TO8	

