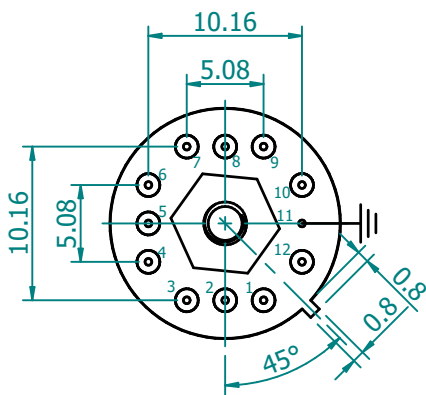
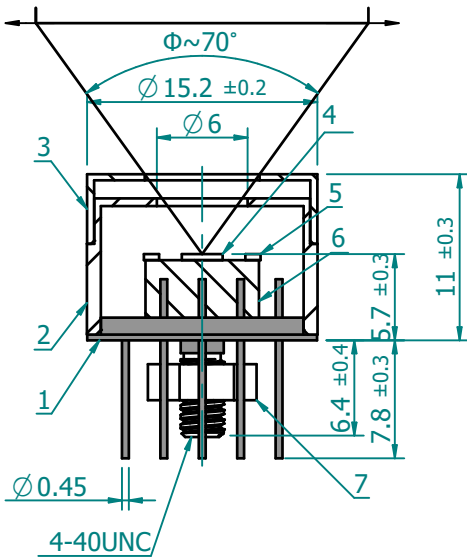
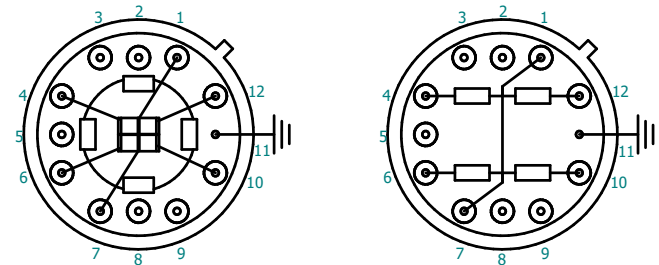


Bottom view



Top view



Pinout	
Detector 1	12
Detector 2	10
Detector 3	6
Detector 4	4
Common	1 and 7
Chassis ground	11
Not used	2, 3, 5, 8, 9

7	4-40 UNC A2 nut	Stainless steel
6	Distance barrel	Mo58
5	Sapphire pad	Sapphire
4	Detector	HgCdTe/GaAs
3	Detector cap	Stainless steel
2	Detector case	Stainless steel
1	TO8 header	Gold plated Kovar
No.	Name	Material



UNIT: mm
GENERAL TOLERANCE:
ISO 2768-mK

Scale
2:1

Sheet
1/1

Size
A4

This document is the property of VIGO System S.A. and may not be disclosed to third parties, copied or used in whole or in part for any purpose without written permission from VIGO System S.A.

Date
28.04.2020

Drawing No.
ZWP-TO8PCQ-Z000

Rev.
8

Weight

Title

Detector TO8 PCQ

