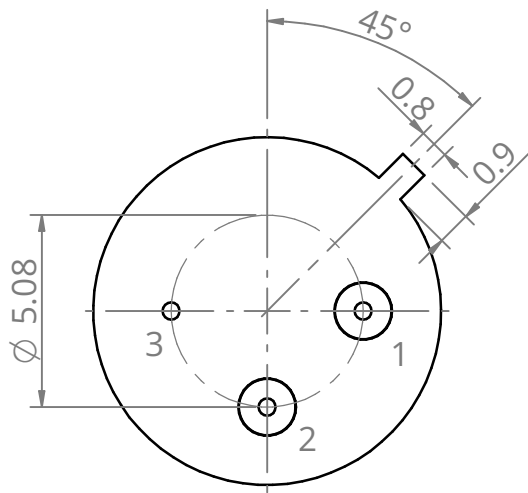
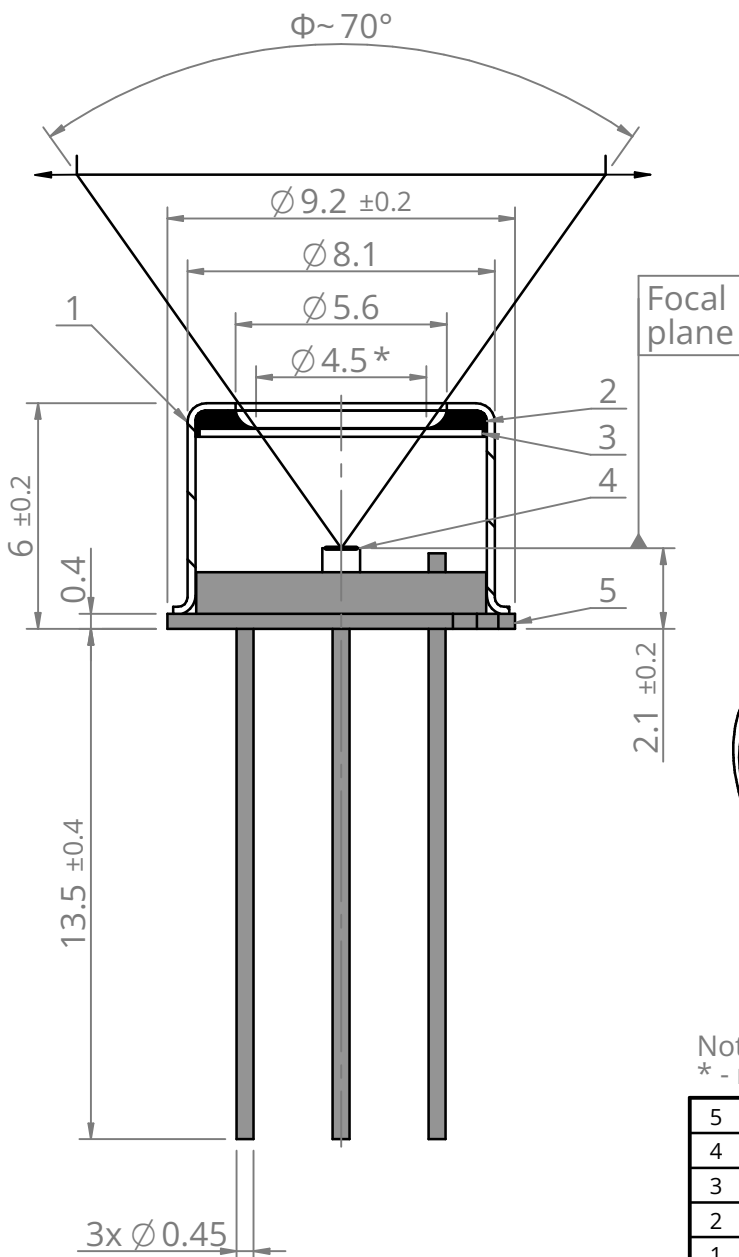
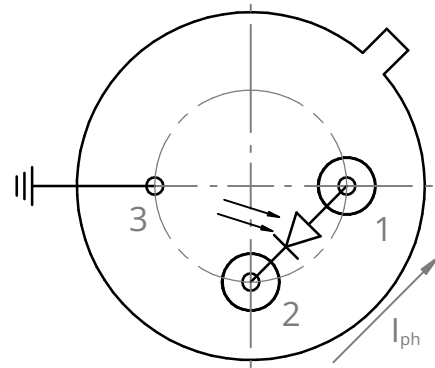


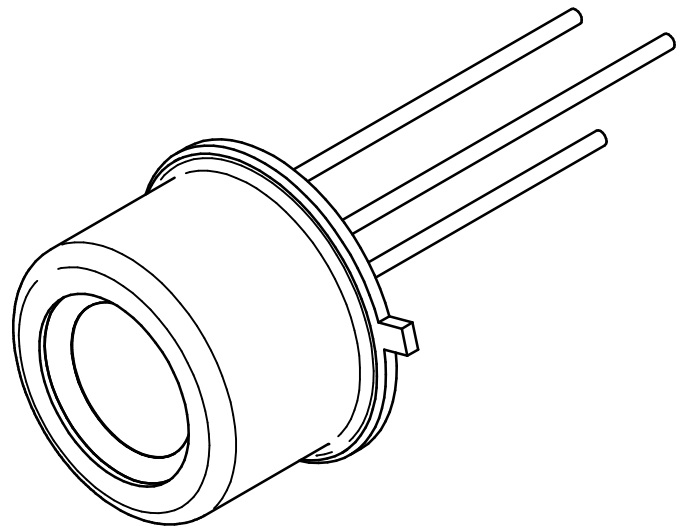
Bottom view



Bottom view
Photovoltaic



Pinout	
Pin No.	Connection
1	Active element anode
2	Active element cathode
3	Chassis ground



Notes:

* - minimum solder free

Φ - Acceptance angle

5	TO39 header	Gold plated Kovar
4	Active element	InP/InGaAs AR
3	Window	BK7
2	Solder glass	
1	Detector cap	Nickel alloy
No.	Name	Material

FIRST ANGLE
PROJECTION



UNIT: mm
GENERAL TOLERANCE:
ISO 2768-mK

Scale
5:1

Sheet
1/1

Size
A4

This document is the property of VIGO Photonics S.A. and may not be disclosed to third parties, copied or used in whole or in part for any purpose without written permission from VIGO Photonics S.A.

Date
24.05.2024

Drawing No.
ZTM-TO39-Z003

Rev.
3

Title
TO39(3p)-pW, PV detector

VIGO
PHOTONICS