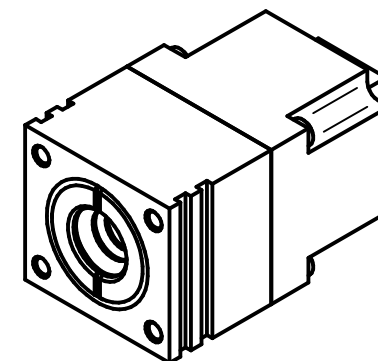
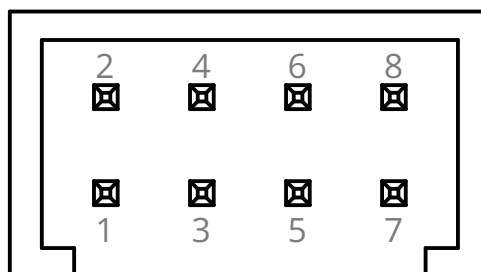
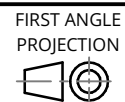


Power supply, TE cooler and thermistor socket
TE Connectivity AMPMODU 280389-2 (male)

Pin No.	Symbol	Function
1	-Vsup	Power supply input (-)
2	TH2	Thermistor output (2)
3	DATA	Data pin
4	TEC-	TEC supply input (-)
5	GND	Ground
6	TH1	Thermistor output (1)
7	+Vsup	Power supply input (+)
8	TEC+	TEC supply input (+)



Φ - Acceptance angle



UNIT: mm
GENERAL TOLERANCE:
ISO 2768-mK

Scale
2:1

Sheet
1/1

Size
A4

This document is the property of VIGO Photonics S.A. and may not be disclosed to third parties, copied or used in whole or in part for any purpose without written permission from VIGO Photonics S.A.

Date
20.03.2024

Drawing No.
SM-I-12

Rev.
2

Title
SM-I-12 detection module

VIGO
PHOTONICS