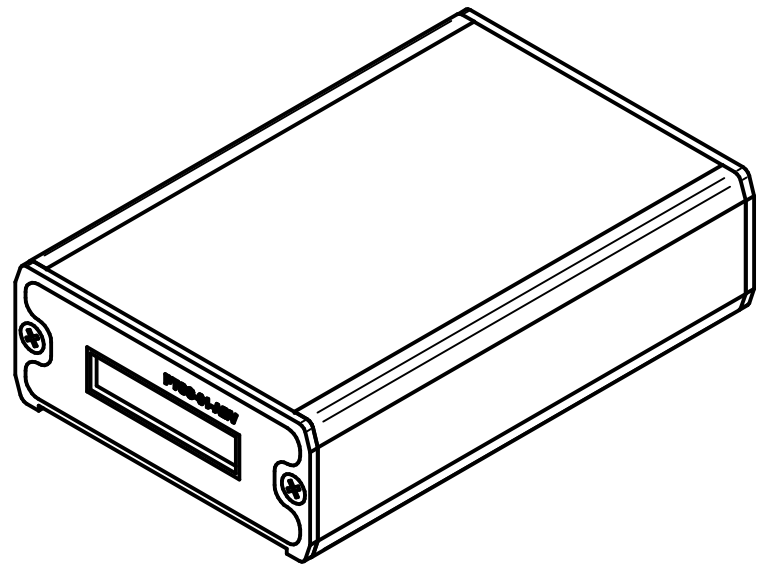
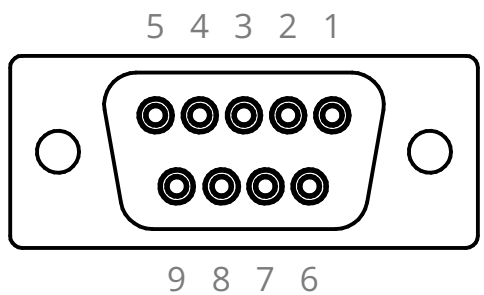


IR module power supply, TE cooler, thermistor and fan socket D-sub 9 pin (female)		
Pin No.	Symbol	Function
1	TEC+	TEC supply output (+)
2	TEC-	TEC supply output (-)
3	GND	IR module power supply ground
4	TH1	Thermistor input (1)
5	TH2	Thermistor input (2)
6	-Vsup	IR module power supply output (-)
7	+5 V	Fan and programmable preamp internal logic auxiliary supply
8	DATA	Bidirectional data port
9	+Vsup	IR module power supply output (+)
metal cover	GND-SH	Shield



FIRST ANGLE PROJECTION	UNIT: mm GENERAL TOLERANCE: ISO 2768-mK	Scale 1:2	Sheet 1:1	Size A4	This document is the property of VIGO Photonics S.A. and may not be disclosed to third parties, copied or used in whole or in part for any purpose without written permission from VIGO Photonics S.A.
Date 20.03.2024	Drawing No. PTCC-01-ADV	Rev. 2	Title PTCC-01-ADV TEC controller		

