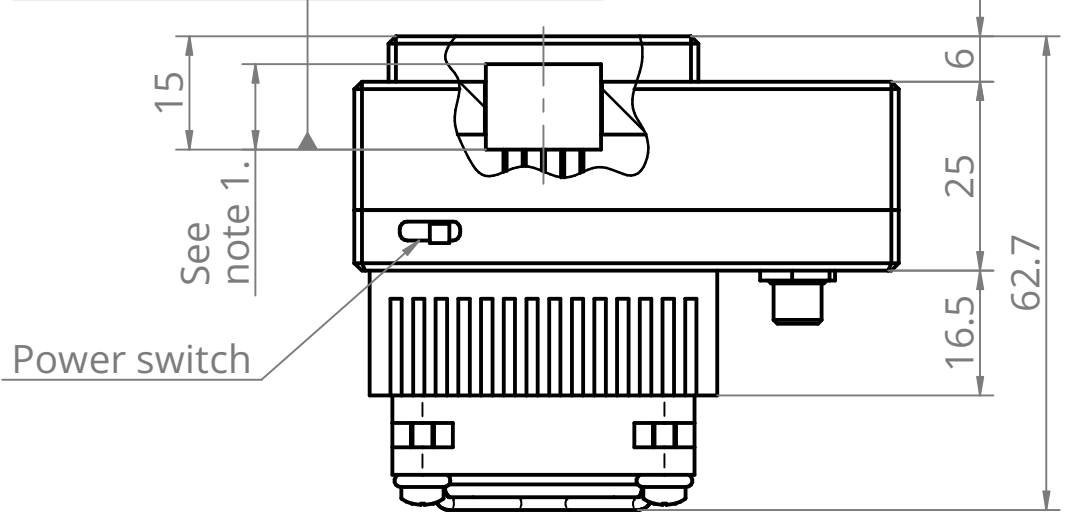
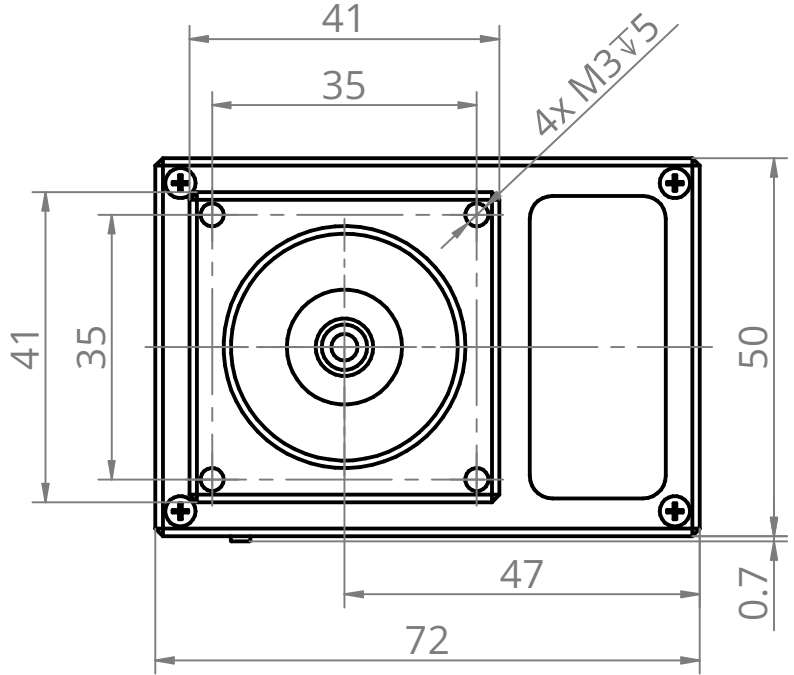
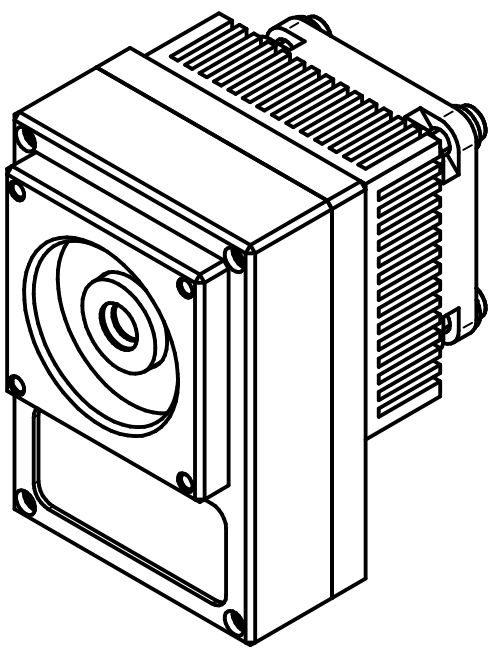


TO8 detector's mounting plane



Power switch



Notes:
1. Check TO8(12p) detector drawings

FIRST ANGLE PROJECTION 	UNIT: mm GENERAL TOLERANCE: ISO 2768-mK	Scale 1:1	Sheet 1/1	Size A4	This document is the property of VIGO Photonics S.A. and may not be disclosed to third parties, copied or used in whole or in part for any purpose without written permission from VIGO Photonics S.A.
Date 01.03.2024	Drawing No. AIP-xx-xx-S	Rev. 2	Title AIP amplifier		