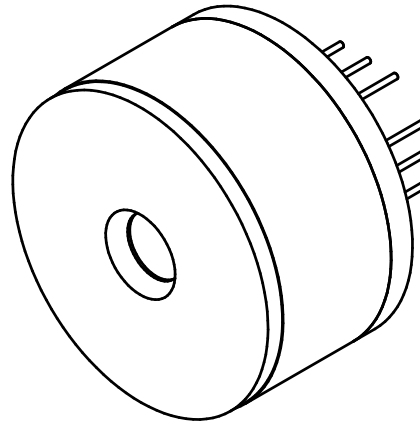
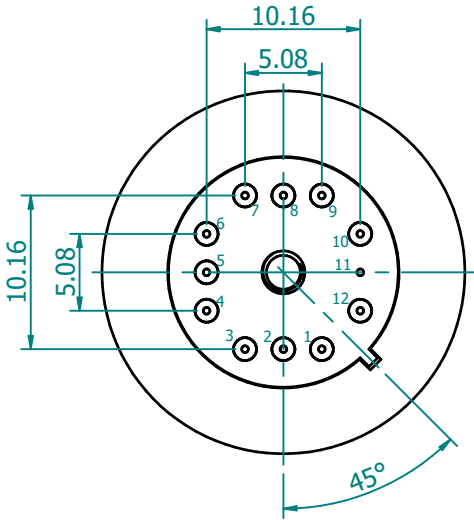


Bottom view

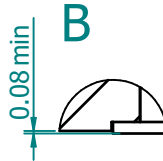
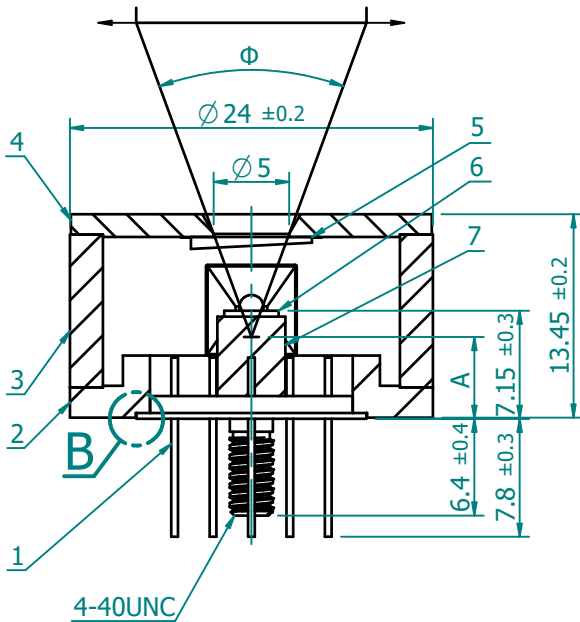


Pinout	
Detector	1 and 3
Chassis ground	11
Not used	2, 4, 5, 6, 7, 8, 9, 10, 12

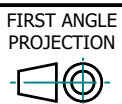


Immersion lens shape	Hyperhemisphere	Without lens	
Detector optical area [mm ²]	1x1	2x2	1x1 - 2x2
R [mm]	0.8	1.25	infinity
A [mm]	4.75±0.30	3.4±0.4	7.15±0.30
Acceptance angle Φ	~36°	~36°	~52°

A - Distance from the bottom of the PEM TO8 header to the focal plane



7	Mounting pad	Brass
6	Detector on sapphire pad	HgCdTe/GaAs/Sapphire
5	Window	ZnSe AR
4	Detector lid	Natural anodised aluminium
3	TO8 housing	Steel with Ni plating
2	Detector cap	Natural anodised aluminium
1	TO8 header	Gold plated Kovar
No.	Name	Material



UNIT: mm
GENERAL TOLERANCE:
ISO 2768-mK

Scale
2:1

Sheet
1/1

Size
A4

This document is the property of VIGO System S.A. and may not be disclosed to third parties, copied or used in whole or in part for any purpose without written permission from VIGO System S.A.

Date
23.09.2020

Drawing No.
ZWP-PEMTO8-Z000

Rev.
5

Weight

Title

Detector PEM TO8

