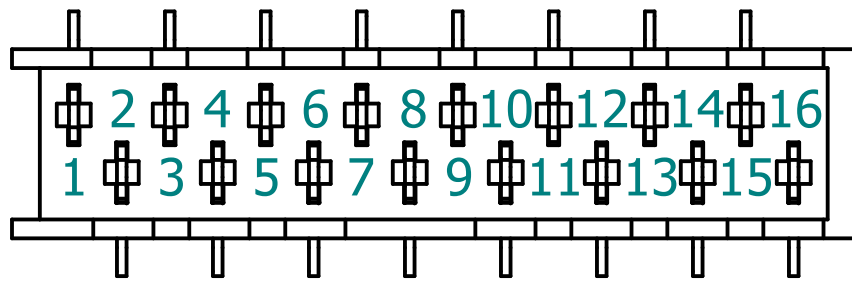
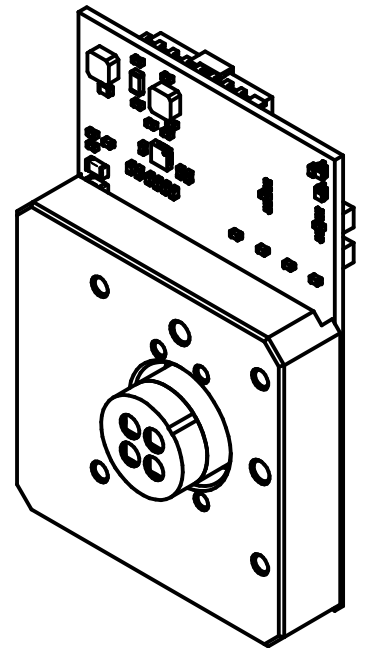
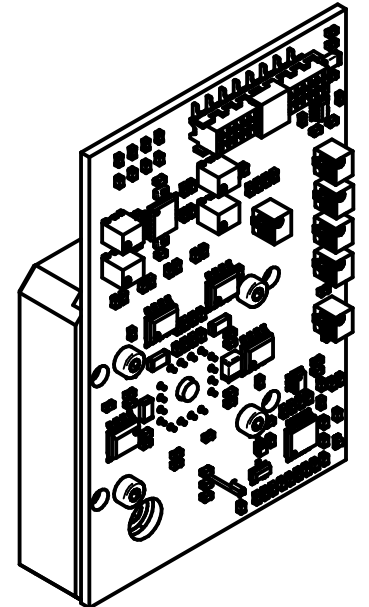
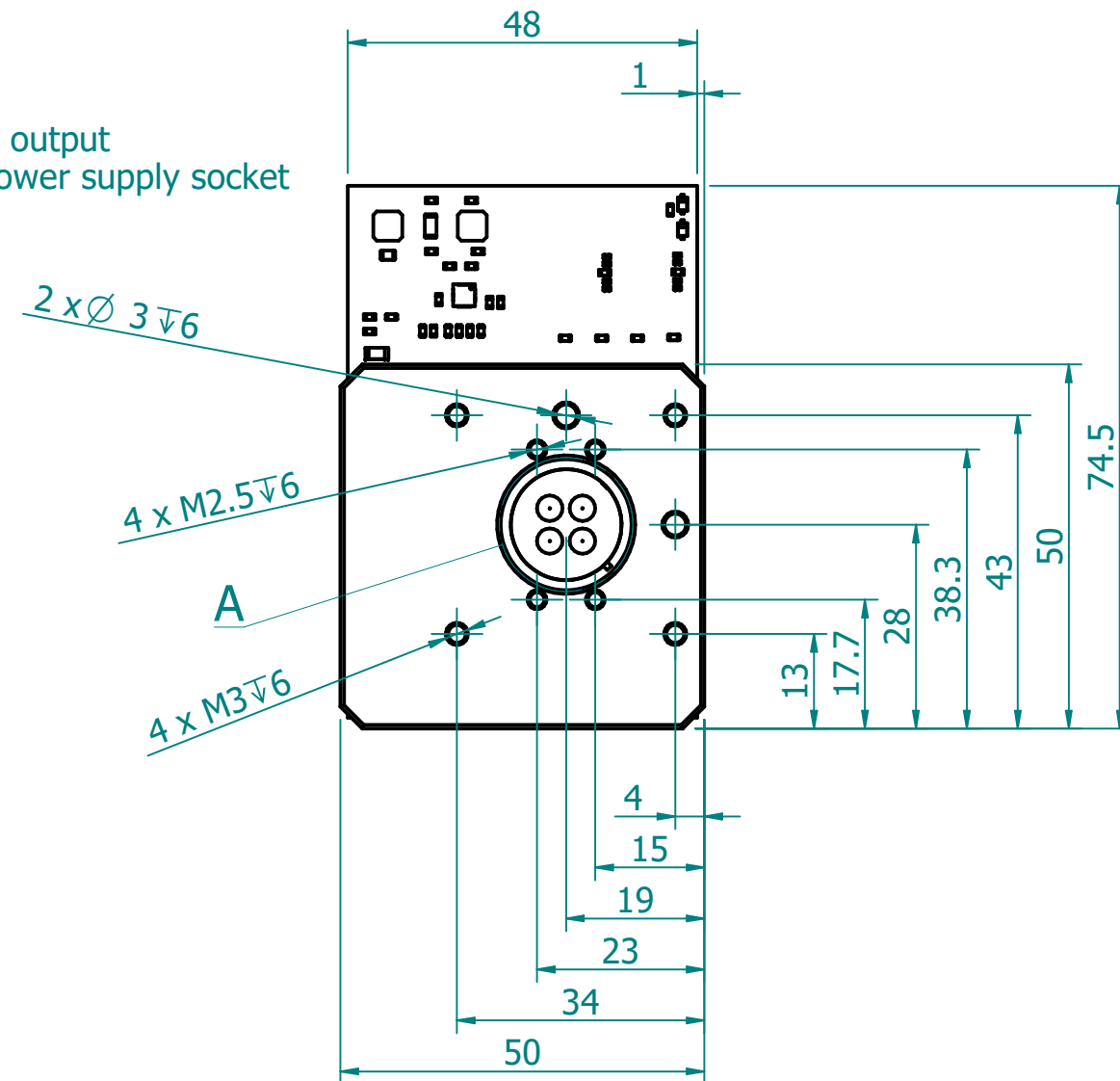
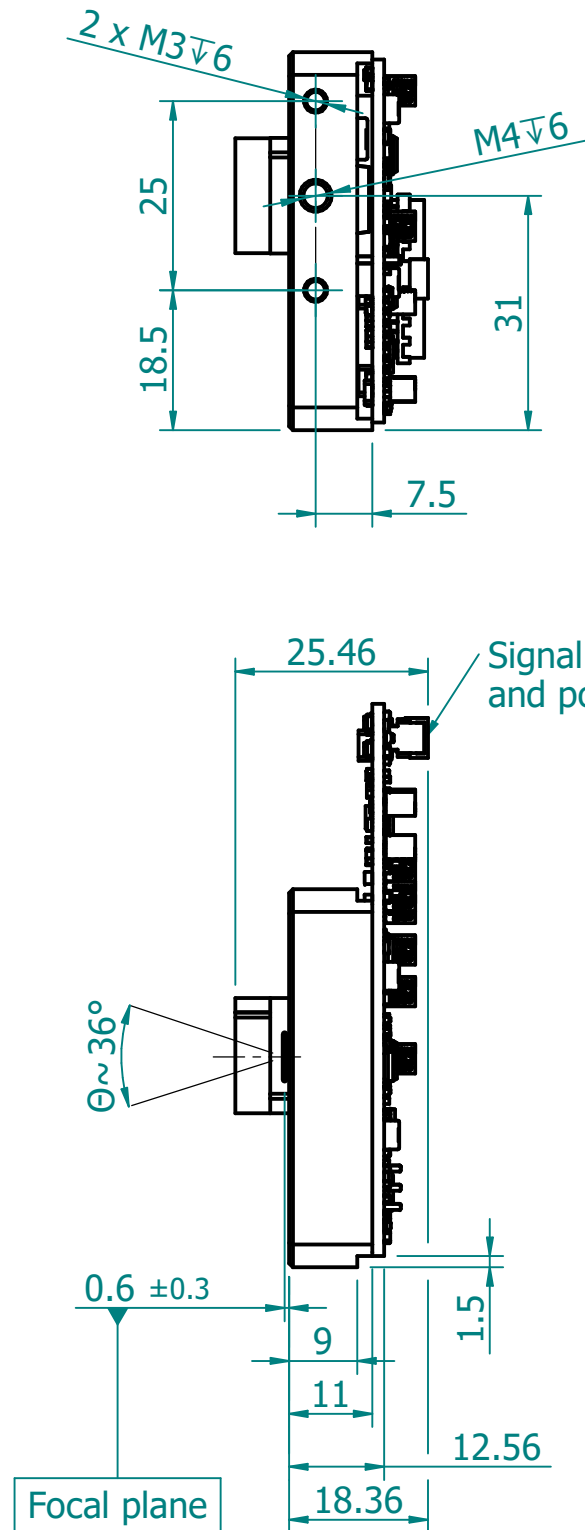


A



Signal output and power supply socket WR-MM (female) SMT 690367281676

Pin No.	Symbol	Function
1,3,5,7,9,11,13	GND	Ground
2	CH1	Channel 1 output
4	CH2	Channel 2 output
6	CH3	Channel 3 output
8	CH4	Channel 4 output
10	NC	Not connected
12	+Vsup	Power supply input (+)
14	-Vsup	Power supply input (-)
15	TEC GND	TEC ground
16	TEC+	TEC supply input (+)



First angle projection	UNIT: mm GENERAL TOLERANCE ISO 2768-mk	Scale 1:1	Sheet 1/2	Size A3	This document is the property of Vigo System S.A. and may not be disclosed to third parties, copied or used in whole or in part for any purpose without written permission from Vigo System S.A.
Date 21.10.2021	Drawing No. 4EF-5	Rev. 0	Title 4EF-5		