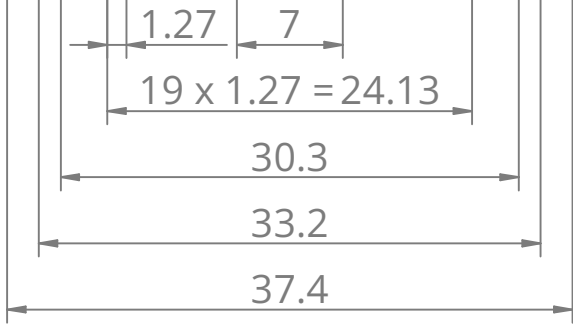
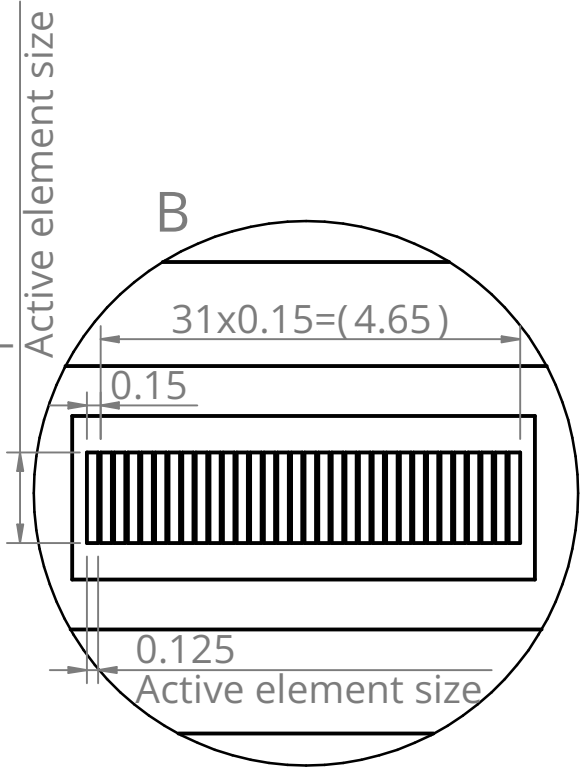


Pinout					
Pin No.	Symbol	Function	Pin No.	Symbol	Function
1	TEC+	TEC supply input (+)	40	TH2	Thermistor output (2)
2	TH1	Thermistor output (1)	39	GND	Ground
3	+Vsup	Power supply input (+)	38	CH9	Channel 9 output
4	CH1	Channel 1 output	37	CH10	Channel 10 output
5	CH2	Channel 2 output	36	CH11	Channel 11 output
6	CH3	Channel 3 output	35	CH12	Channel 12 output
7	CH4	Channel 4 output	34	CH13	Channel 13 output
8	CH5	Channel 5 output	33	CH14	Channel 14 output
9	CH6	Channel 6 output	32	CH15	Channel 15 output
10	CH7	Channel 7 output	31	CH16	Channel 16 output
11	CH8	Channel 8 output	30	CH25	Channel 25 output
12	CH17	Channel 17 output	29	CH26	Channel 26 output
13	CH18	Channel 18 output	28	CH27	Channel 27 output
14	CH19	Channel 19 output	27	CH28	Channel 28 output
15	CH20	Channel 20 output	26	CH29	Channel 29 output
16	CH21	Channel 21 output	25	CH30	Channel 30 output
17	CH22	Channel 22 output	24	CH21	Channel 31 output
18	CH23	Channel 23 output	23	CH32	Channel 32 output
19	CH24	Channel 24 output	22	-Vsup	Power supply input (-)
20	GND	Ground	21	TEC-	TEC supply input (-)



FIRST ANGLE PROJECTION	UNIT: mm	Scale	Sheet	Size	This document is the property of VIGO Photonics S.A. and may not be disclosed to third parties, copied or used in whole or in part for any purpose without written permission from VIGO Photonics S.A.
	GENERAL TOLERANCE: ISO 2768-mK	2:1	1/1	A3	
Date	Drawing No.	Rev.	Title		
20.02.2025	32EM-5-01	1	32EM-5-01 detection module		

