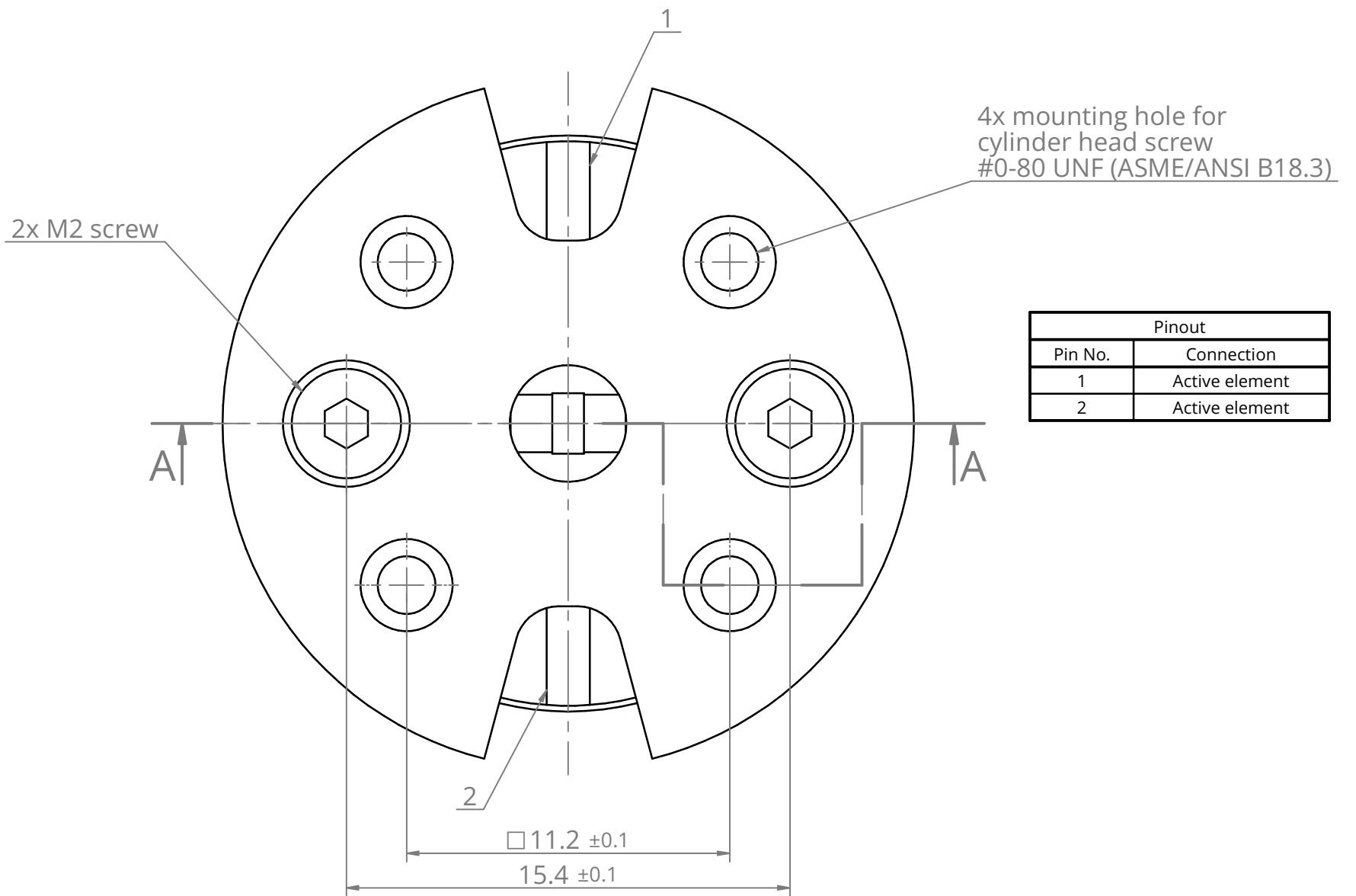
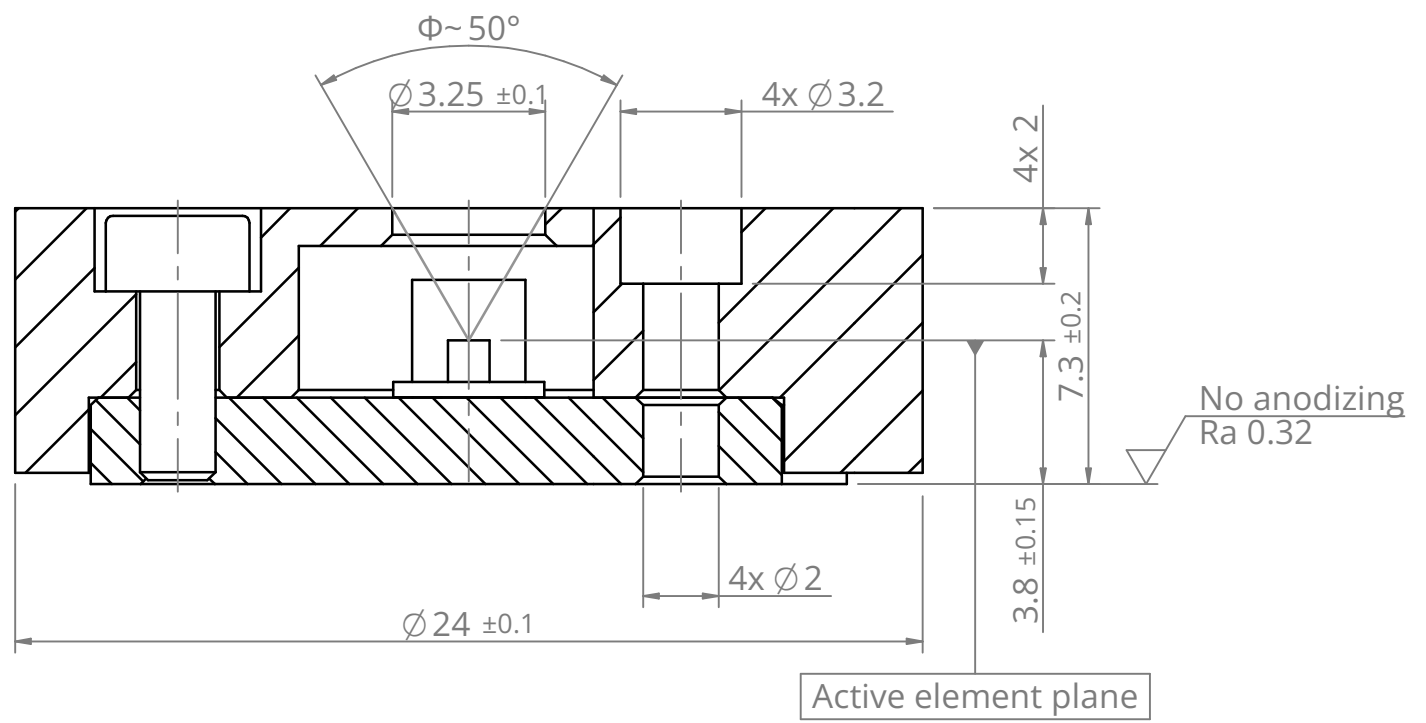


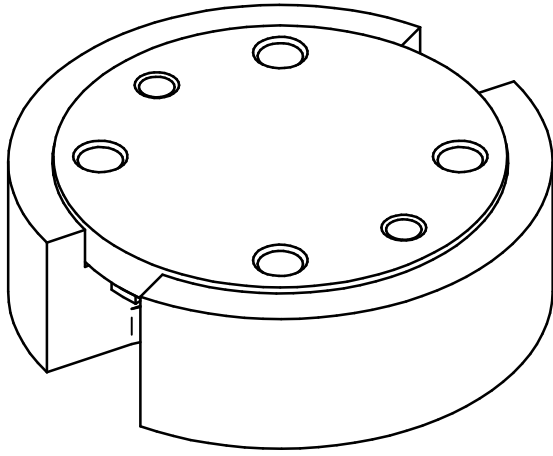
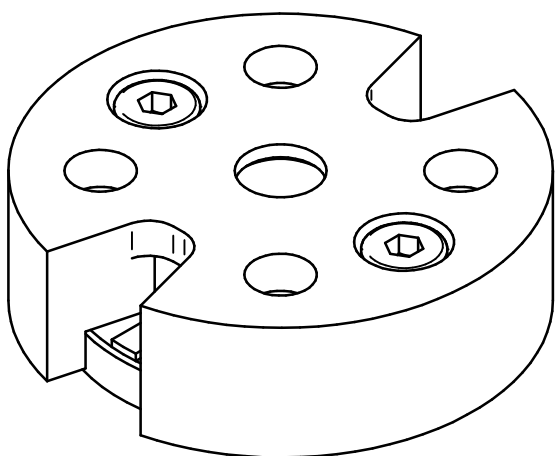
A-A



4x mounting hole for cylinder head screw #0-80 UNF (ASME/ANSI B18.3)

2x M2 screw

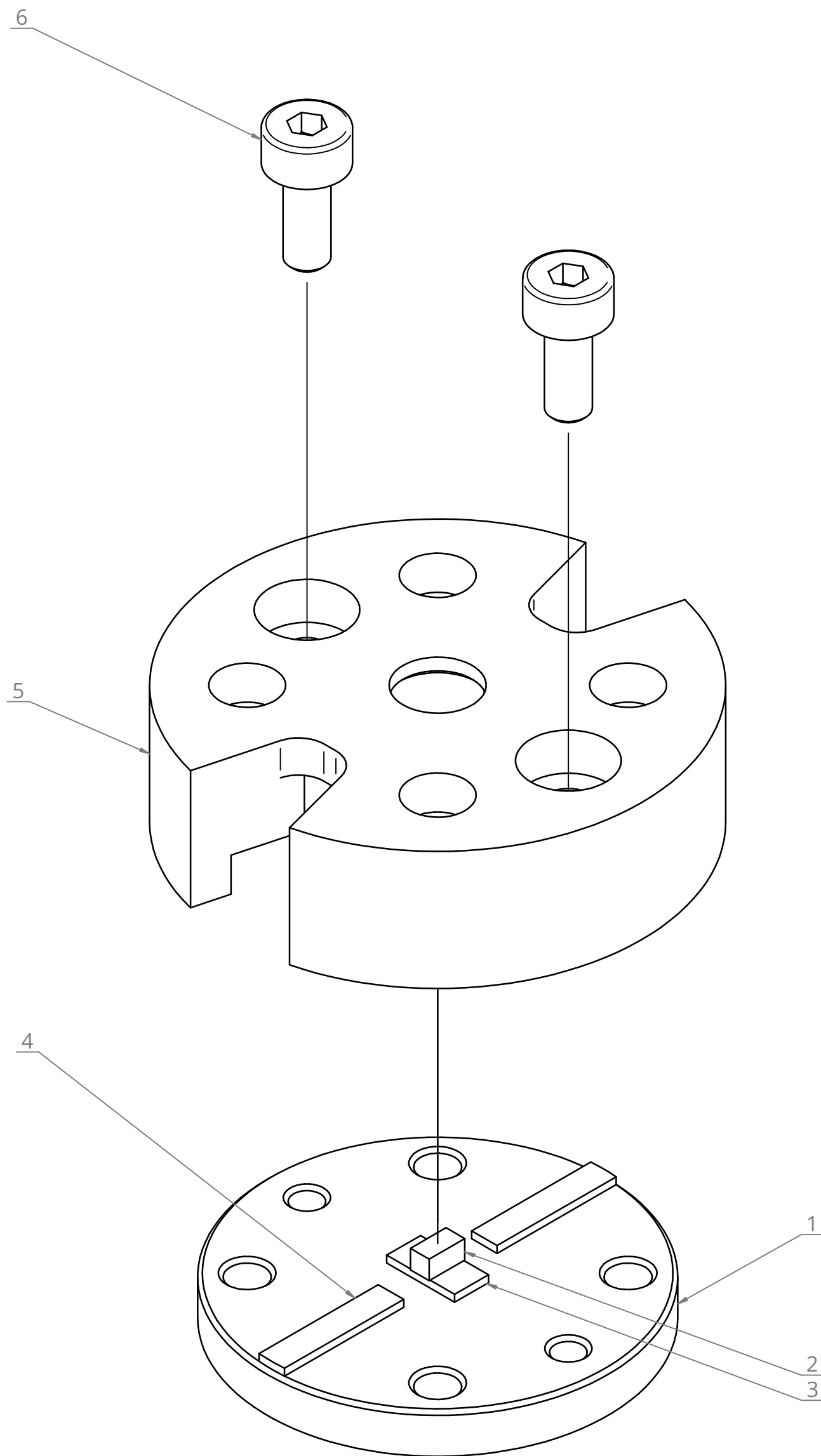
Pinout	
Pin No.	Connection
1	Active element
2	Active element




Notes:  
1. Black anodized surfaces (MIL-A-8625 TYPE II CLASS 2)

FIRST ANGLE PROJECTION	UNIT: mm GENERAL TOLERANCE: ISO 2768-mK	Scale 5:1	Sheet 1/2	Size A3	This document is the property of VIGO Photonics S.A. and may not be disclosed to third parties, copied or used in whole or in part for any purpose without written permission from VIGO Photonics S.A.
Date 27.01.2025	Drawing No. ZTMS-LN2-Z360.10.1	Rev. 1	Title LN2-VFP(2p), PC detector		





6	M2 screw	Stainless steel	2
5	Coldshield	Anodized aluminum	1
4	Pads	Metalized sapphire	2
3	Active element carrier	Sapphire	1
2	Active element	HgCdTe/GaAs	1
1	Spacer	Anodized aluminum	1
Part No.	Name of part	Material	Quantity

FIRST ANGLE PROJECTION 	UNIT: mm GENERAL TOLERANCE: ISO 2768-mK	Scale 5:1	Sheet 2/2	Size A3	This document is the property of VIGO Photonics S.A. and may not be disclosed to third parties, copied or used in whole or in part for any purpose without written permission from VIGO Photonics S.A.
Date 27.01.2025	Drawing No. ZTMS-LN2-Z360.10.1	Rev. 1	Title LN2-VFP(2p), PC detector		