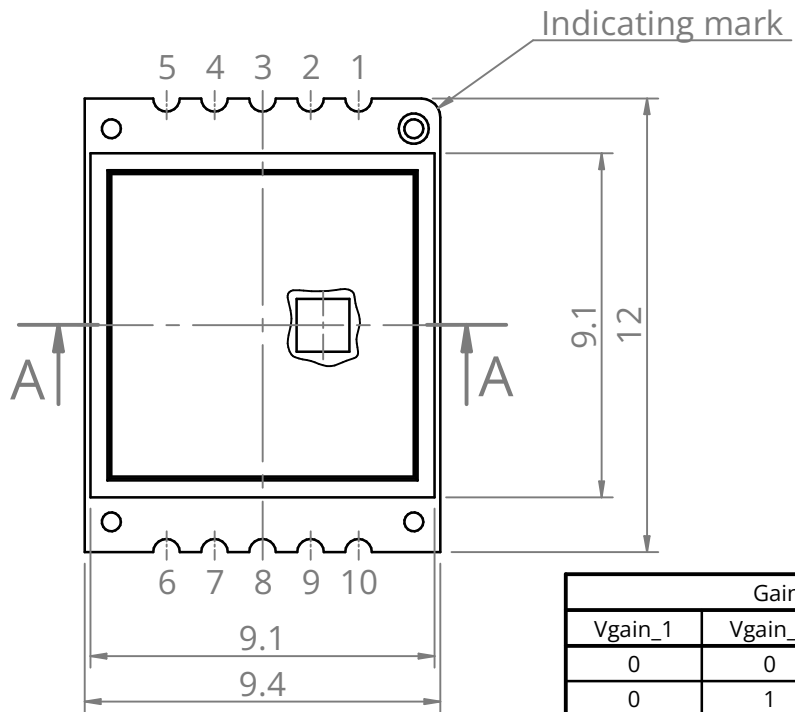
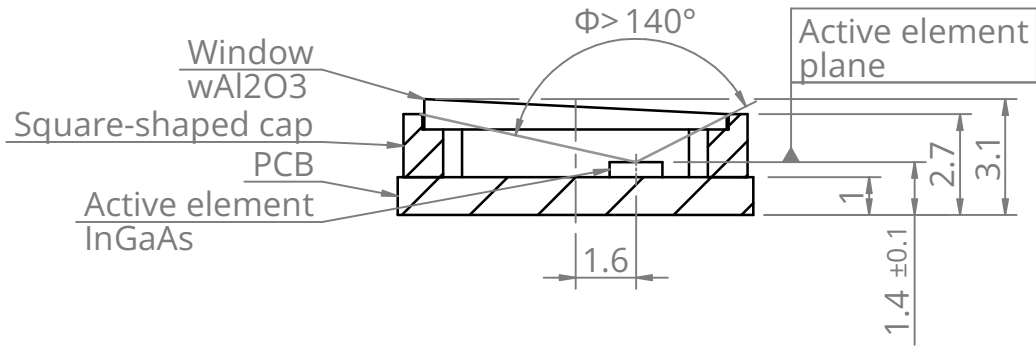
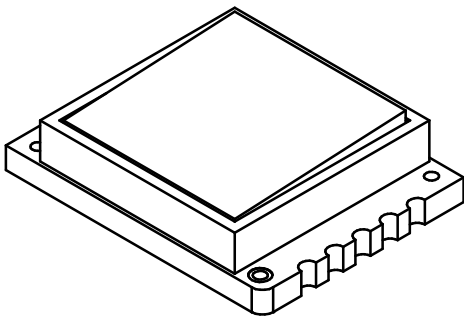


A-A



Gain setting		
Vgain_1	Vgain_0	Gain value, V/V
0	0	2
0	1	10
1	0	20
1	1	75

Pinout		
Pin No.	Symbol	Function
1	GND	Ground
2	Vref	Reference voltage output
3	GND	Ground
4	Vsig	Signal output
5	GND	Ground
6	En	Enable
7	Vcc	Power supply input
8	GND	Ground
9	Vgain_1	Gain input 1
10	Vgain_0	Gain input 0



FIRST ANGLE PROJECTION

UNIT: mm
GENERAL TOLERANCE:
ISO 2768-mK

Scale
10:1

Sheet
1/1

Size
A4

This document is the property of VIGO Photonics S.A. and may not be disclosed to third parties, copied or used in whole or in part for any purpose without written permission from VIGO Photonics S.A.

Date
27.01.2025

Drawing No.
ZTMS-ASIC-Z360.3.1

Rev.
1

Title
IC01420-01 detection module

VIGO
PHOTONICS