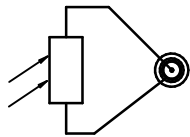
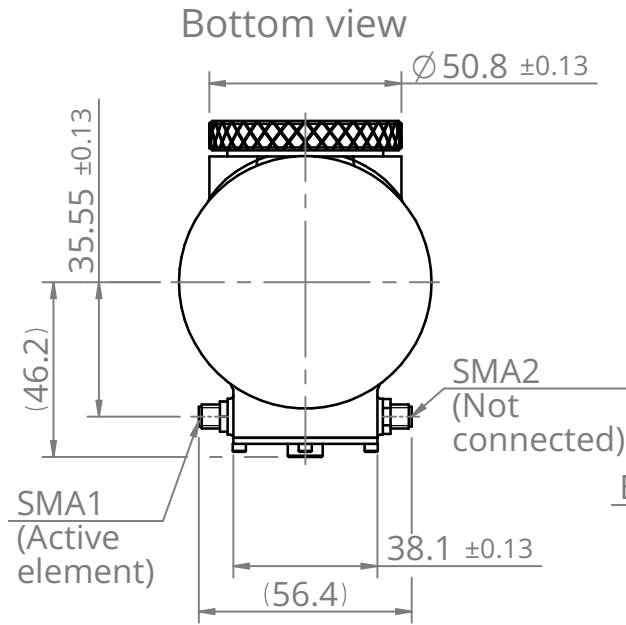


Active element
Inner connector

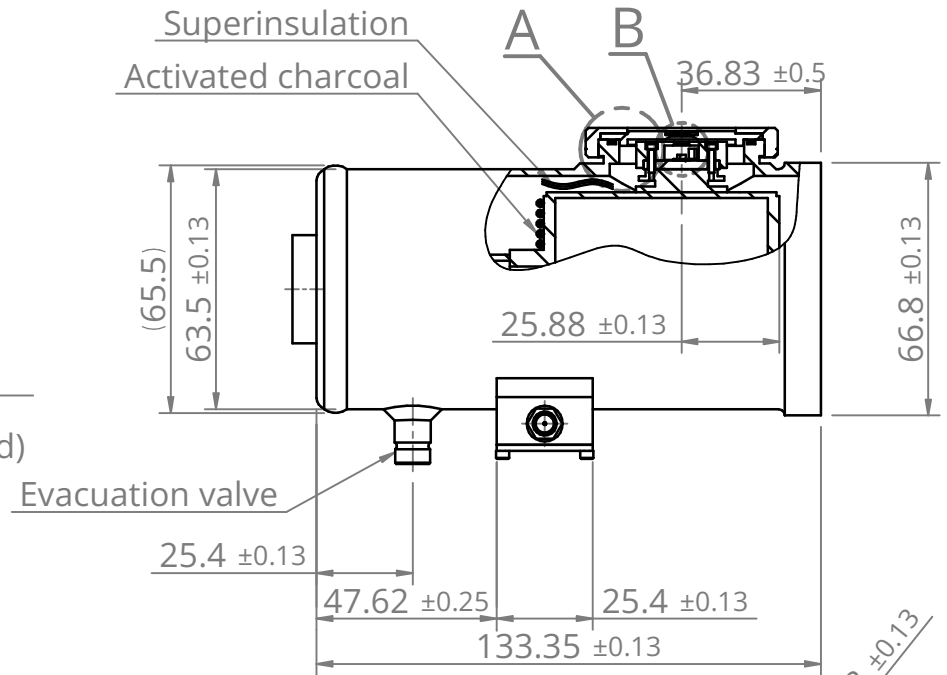
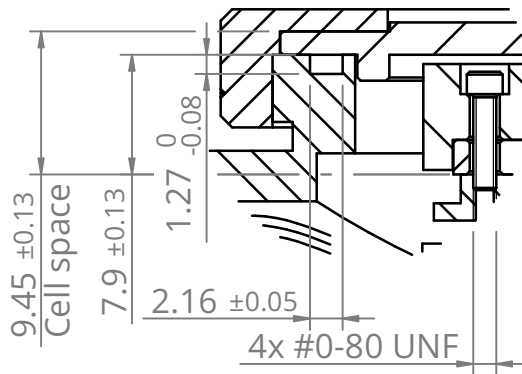


Outer shield

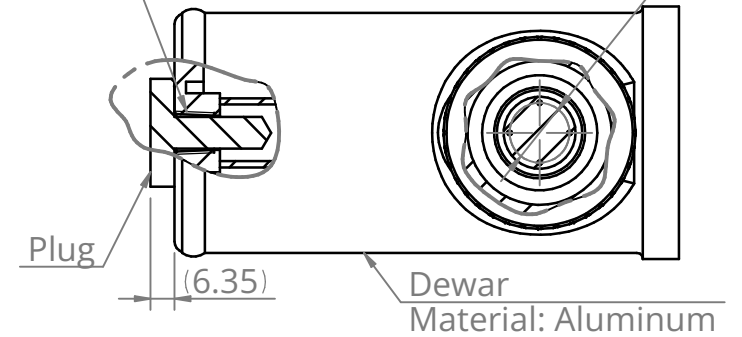
Output signal	
	SMA1
Inner connector	Active element
Outer shield	Active element



A



1/8 NPT
Fillport



Notes:

1. LN2 capacity: 0.094 liters
2. Dewar to be shipped under vacuum and encapsulated
3. All static sealing o-ring to be Viton

FIRST ANGLE PROJECTION 	UNIT: mm GENERAL TOLERANCE: ISO 2768-mK	Scale 1:2	Sheet 1/1	Size A4	This document is the property of VIGO Photonics S.A. and may not be disclosed to third parties, copied or used in whole or in part for any purpose without written permission from VIGO Photonics S.A.
Date 22.01.2025	Drawing No. ZTMS-KR163-Z360.11.1	Rev. 1	Title Dewar KR163		