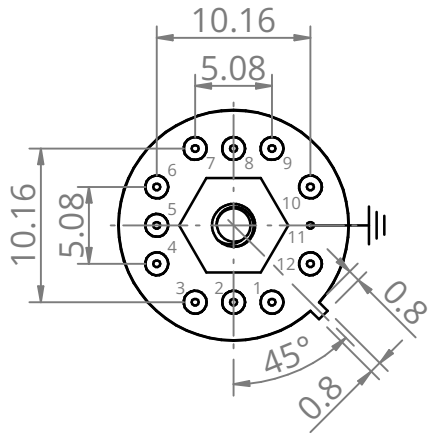
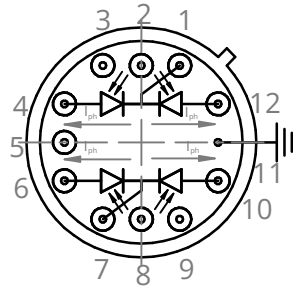


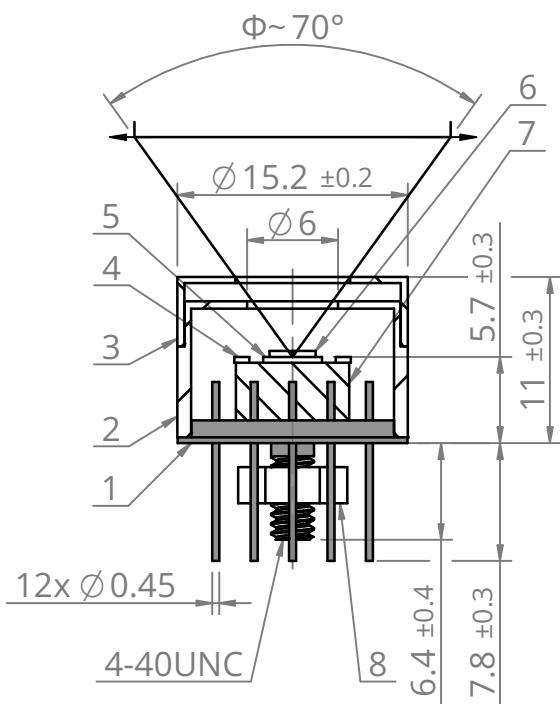
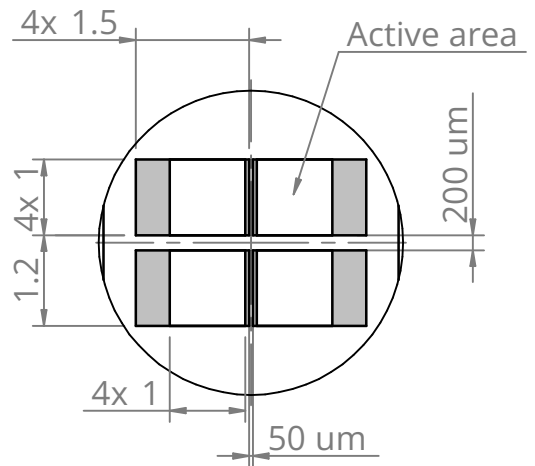
Bottom view



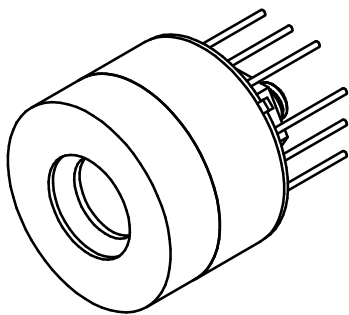
Top view
Photovoltaic



Top view
Photovoltaic



Pinout	
Pin No.	Connection
1	Active element 1 and 4 cathode
2	Not used
3	Not used
4	Active element 4 anode
5	Not used
6	Active element 3 anode
7	Active element 2 and 3 cathode
8	Not used
9	Not used
10	Active element 2 anode
11	Chassis ground
12	Active element 1 anode



Φ - Acceptance angle

8	4-40 UNC A2 nut	Stainless steel
7	Distance barrel	Brass
6	Active element	HgCdTe/GaAs
5	Active element carrier	Sapphire/Silicon
4	Pad	Sapphire
3	Detector cap	Stainless steel
2	Detector case	Stainless steel
1	TO8 header	Gold plated Kovar
No.	Name	Material

FIRST ANGLE
PROJECTION



UNIT: mm
GENERAL TOLERANCE:
ISO 2768-mK

Scale
2:1

Sheet
1/1

Size
A4

This document is the property of VIGO Photonics S.A. and may not be disclosed to third parties, copied or used in whole or in part for any purpose without written permission from VIGO Photonics S.A.

Date
05.03.2024

Drawing No.
ZTM-TO8Quad-Z001

Rev.
10

Title
TO8(12p)-NW, PVQ detector

VIGO
PHOTONICS