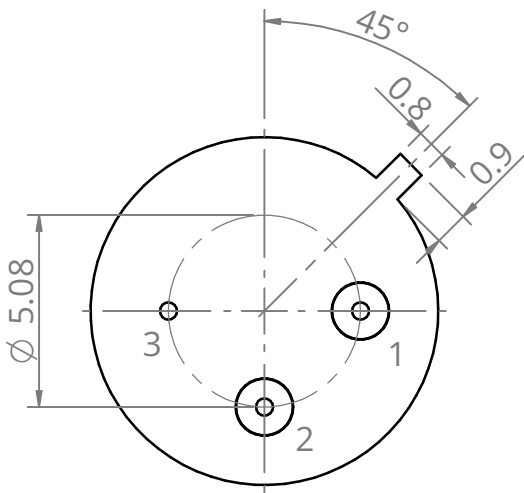
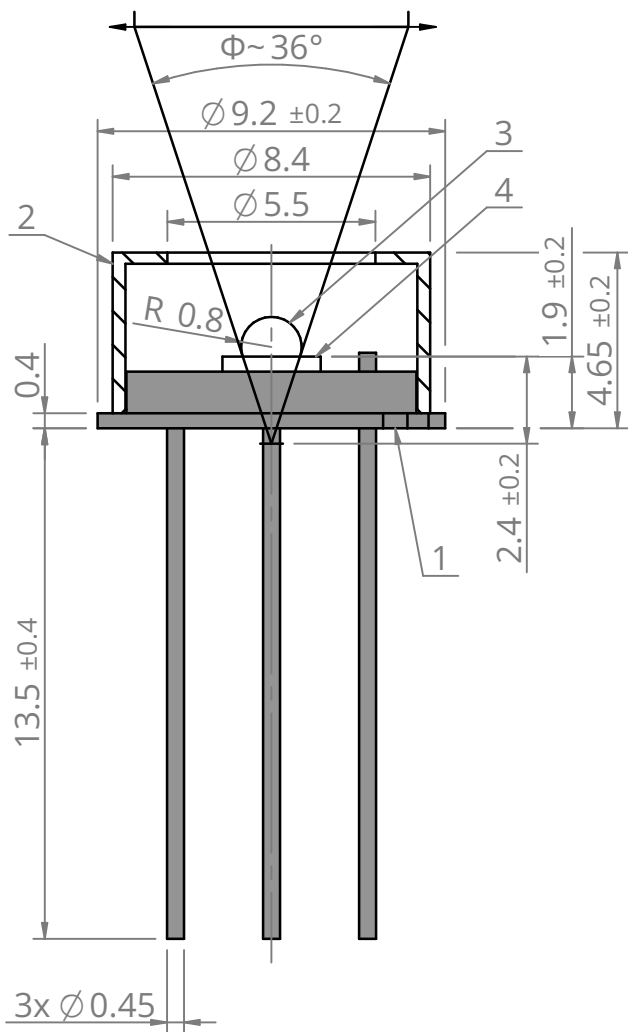
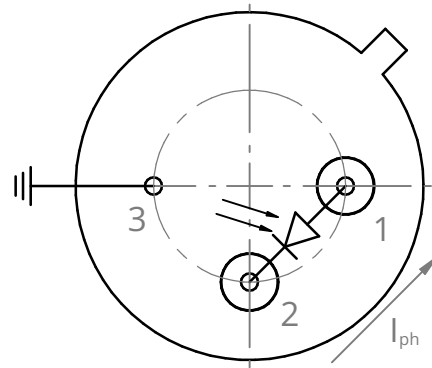


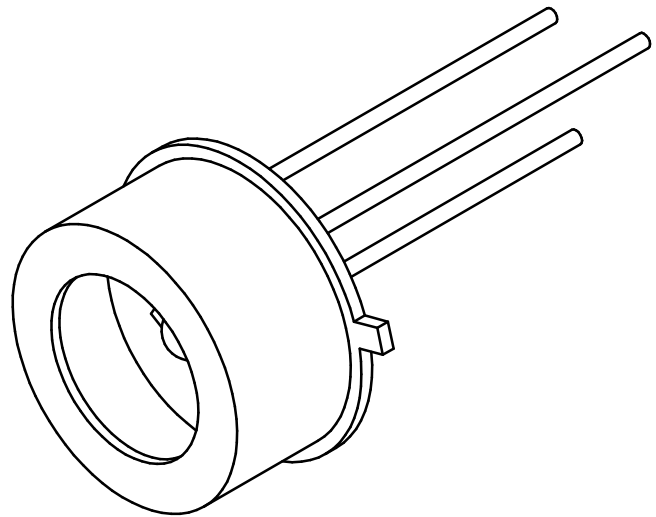
Bottom view



Bottom view  
Photovoltaic



Pinout	
Pin No.	Connection
1	Active element anode
2	Active element cathode
3	Chassis ground



Φ - Acceptance angle

4	Active element carrier	Sapphire/Silicon
3	Active element	HgCdTe/GaAs
2	Detector cap	Brass
1	TO39 header	Gold plated Kovar
No.	Name	Material

FIRST ANGLE  
PROJECTION



UNIT: mm  
GENERAL TOLERANCE:  
ISO 2768-mK

Scale  
5:1

Sheet  
1/1

Size  
A4

This document is the property of VIGO Photonics S.A. and may not be disclosed to third parties, copied or used in whole or in part for any purpose without written permission from VIGO Photonics S.A.

Date  
04.03.2024

Drawing No.  
ZTM-TO39-Z001

Rev.  
9

Title  
TO39(3p)-NW, PVI detector

**VIGO**  
PHOTONICS