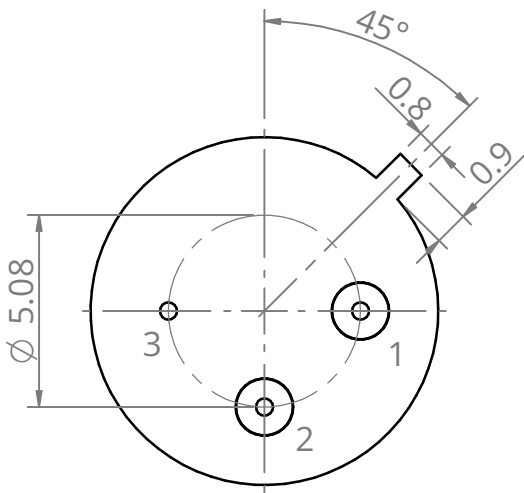
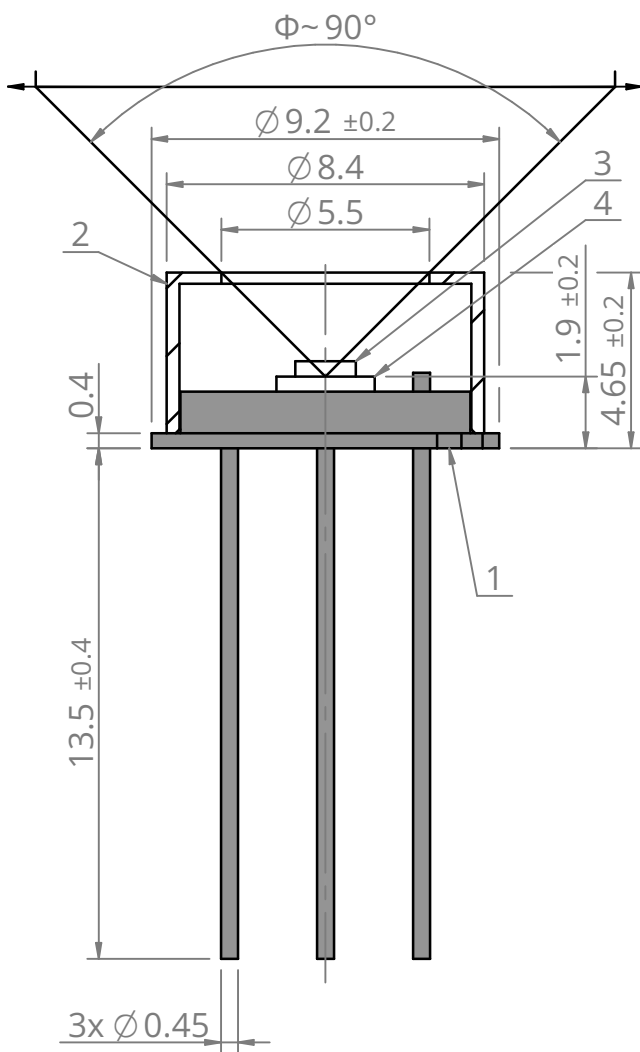
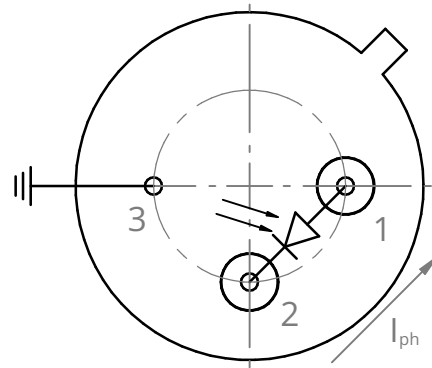


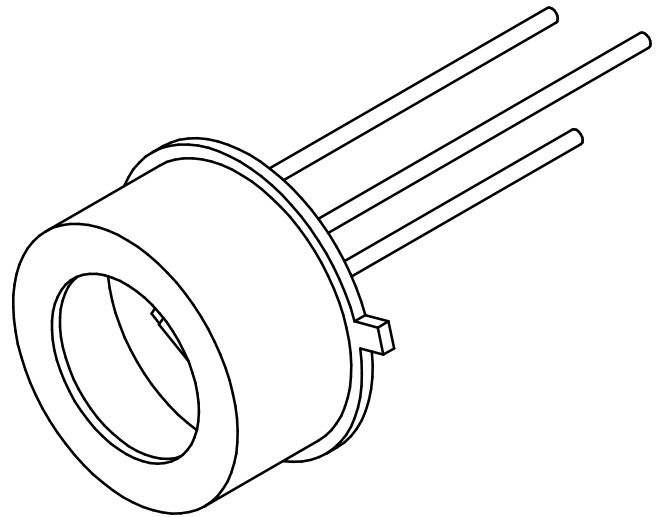
Bottom view



Bottom view
Photovoltaic



Pinout	
Pin No.	Connection
1	Active element anode
2	Active element cathode
3	Chassis ground



Φ - Acceptance angle

4	Active element carrier	Sapphire/Silicon
3	Active element	HgCdTe/GaAs
2	Detector cap	Brass
1	TO39 header	Gold plated Kovar
No.	Name	Material

FIRST ANGLE
PROJECTION



UNIT: mm
GENERAL TOLERANCE:
ISO 2768-mK

Scale
5:1

Sheet
1/1

Size
A4

This document is the property of VIGO Photonics S.A. and may not be disclosed to third parties, copied or used in whole or in part for any purpose without written permission from VIGO Photonics S.A.

Date
04.03.2024

Drawing No.
ZTM-TO39-Z002

Rev.
8

Title
TO39(3p)-NW, PV detector

VIGO
PHOTONICS