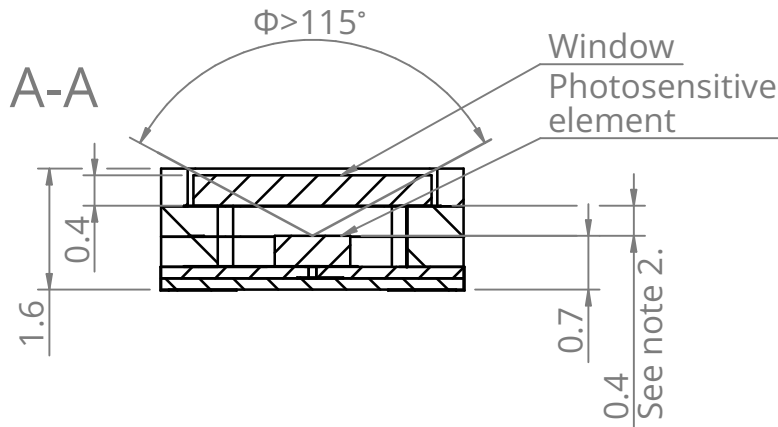
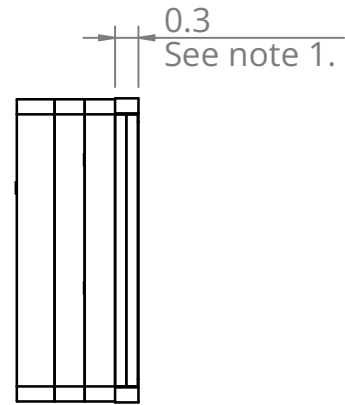
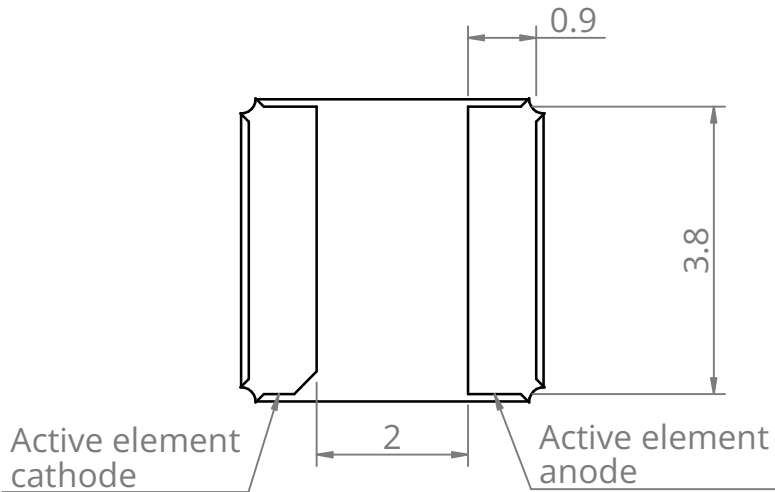
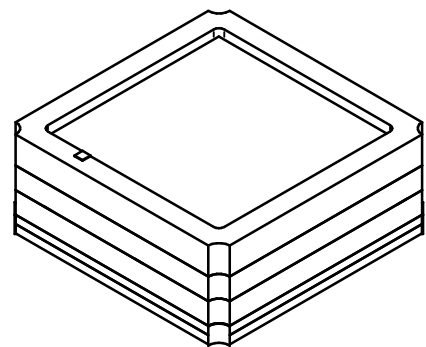
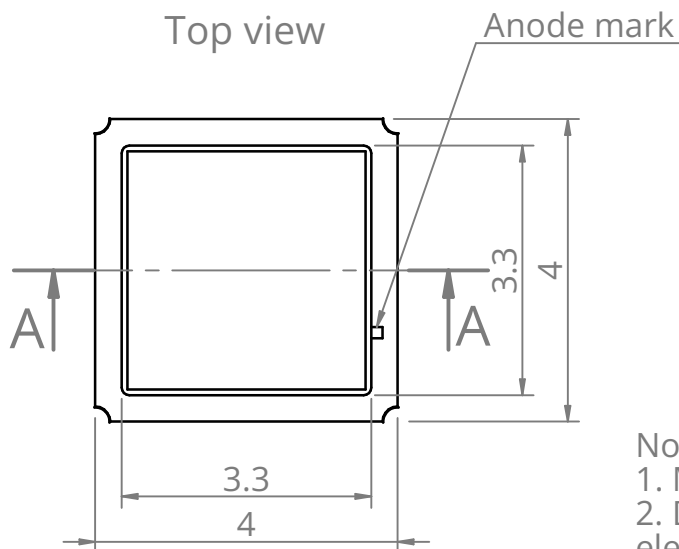


Bottom view



Top view



Notes:

1. Metallization height, only in the corners
2. Distance between the photosensitive element and the window

Φ - Acceptance angle

FIRST ANGLE
PROJECTION

UNIT: mm
GENERAL TOLERANCE:
ISO 2768-mK

Scale
10:1

Sheet
1/1

Size
A4

This document is the property of VIGO Photonics S.A. and may not be disclosed to third parties, copied or used in whole or in part for any purpose without written permission from VIGO Photonics S.A.

Date
10.05.2024

Drawing No.
ZTM-SMD-Z171.1

Rev.
4

Title
SMD-pW, PV detector

VIGO
PHOTONICS