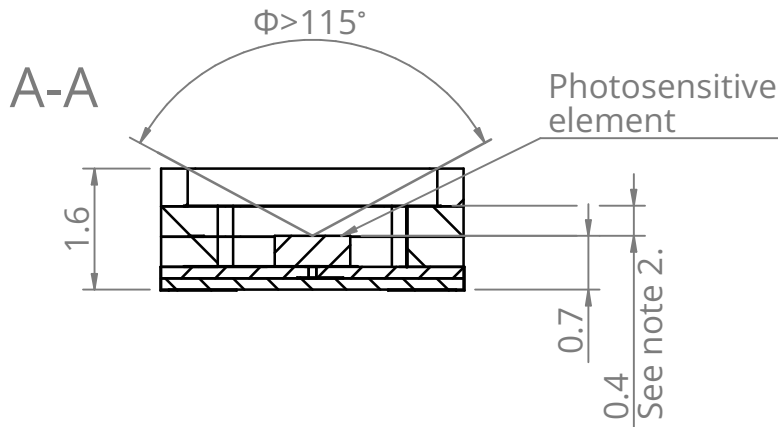
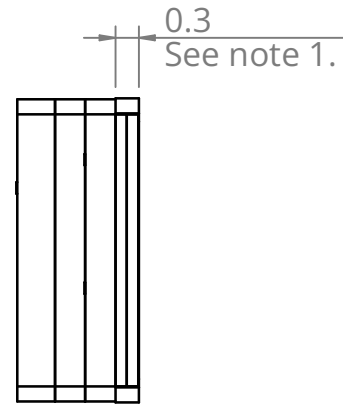
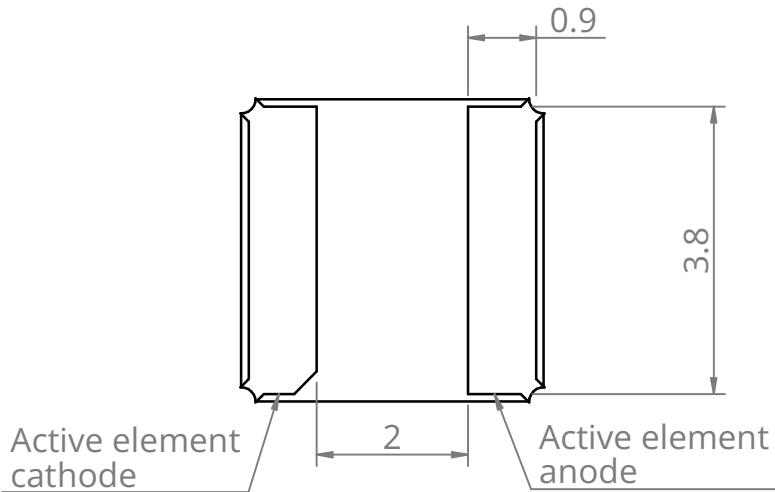
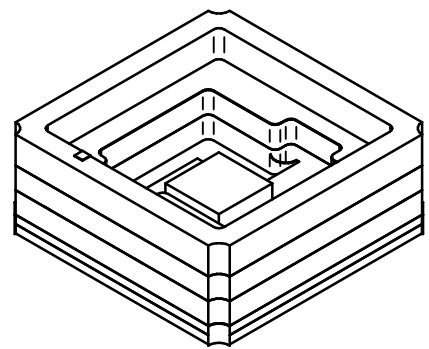
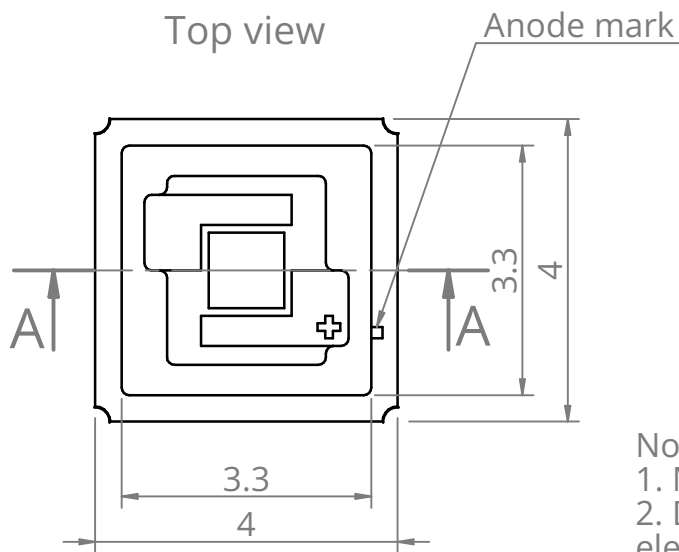


Bottom view



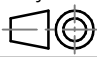
Top view



Notes:

1. Metallization height, only in the corners
2. Distance between the photosensitive element and the window

$\Phi$  - Acceptance angle

<p>FIRST ANGLE PROJECTION</p> 	<p>UNIT: mm GENERAL TOLERANCE: ISO 2768-mK</p>	<p>Scale 10:1</p>	<p>Sheet 1/1</p>	<p>Size A4</p>	<p>This document is the property of VIGO Photonics S.A. and may not be disclosed to third parties, copied or used in whole or in part for any purpose without written permission from VIGO Photonics S.A.</p>
<p>Date 05.03.2024</p>	<p>Drawing No. ZTM-SMD-Z171.14</p>	<p>Rev. 2</p>	<p>Title SMD-NW, PV detector</p>		