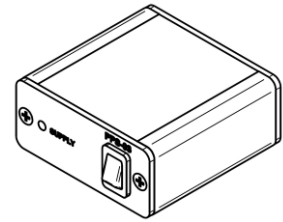


# PPS-03 SERIES DATASHEET

## Power supplies



### VIGO IR DETECTION MODULES THAT CAN OPERATE WITH PPS-03 SERIES

- microM-10.6
- IR detection modules with uncooled detectors in the TO39 package and the SIP-TO39 series amplifiers

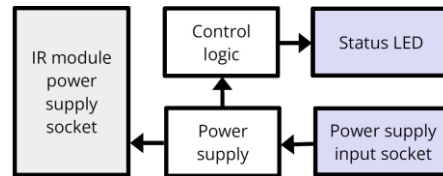
### INCLUDED ACCESSORIES

- 1 pc of AC adaptor

### CODE DESCRIPTION

Type	Output voltage, V <sub>DC</sub>
PPS-03	09
	15

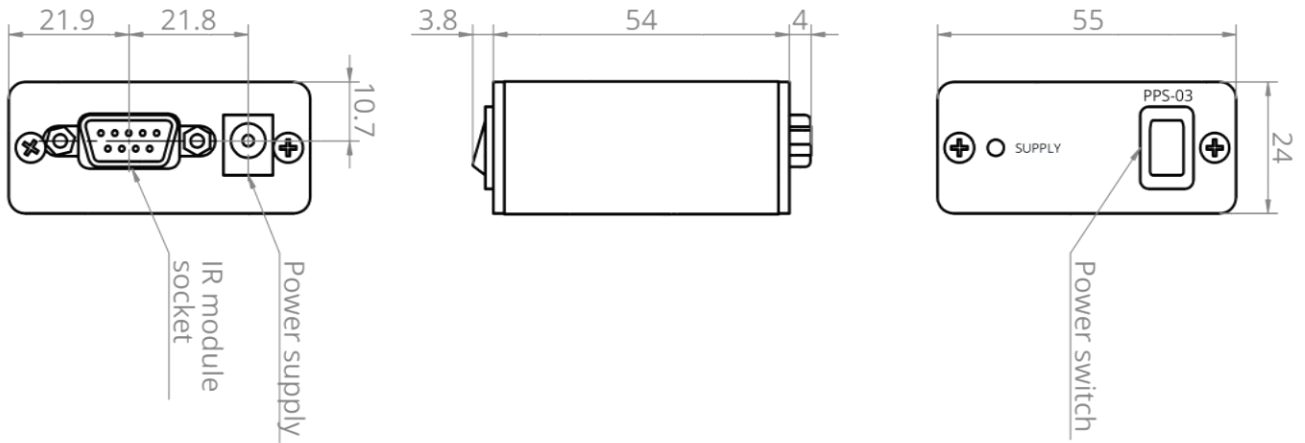
### SCHEMATIC DIAGRAM



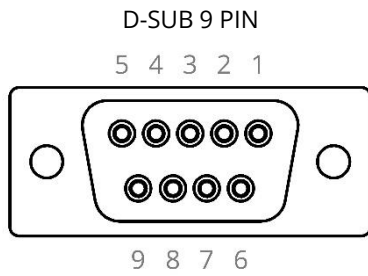
### SPECIFICATION (T<sub>amb</sub> = 293 K)

Parameter	Test conditions, remarks	Value			Unit
		Min.	Typ.	Max.	
Input power supply voltage range		9.0	-	16.0	V <sub>DC</sub>
IR detection module power supply output voltage	PPS-03-09	-	±9	-	V <sub>DC</sub>
	PPS-03-15	-	±15	-	
IR detection module power supply output current		-	-	±100	mA
Weight		-	90	-	g

### MECHANICAL LAYOUT (Unit: mm)



### IR DETECTION MODULE SOCKET PINOUT



Pin No.	Symbol	Function
1	NC	Not connected
2	NC	Not connected
3	GND	IR module power supply ground
4	NC	Not connected
5	NC	Not connected
6	-Vsup	IR module power supply output (-)
7	NC	Not connected
8	NC	Not connected
9	+Vsup	IR module power supply output (+)

### ABSOLUTE MAXIMUM RATINGS

Parameter	Test conditions/remarks	Value	Unit
Ambient operating temperature, $T_{amb}$		5 to 45	°C
Storage temperature, $T_{stg}$		-20 to 70	°C
Humidity	No dew condensation	10 to 90	%

Stresses beyond those listed under Absolute maximum ratings may cause permanent damage to the device. Constant or repeated exposure to absolute maximum rating conditions may affect the quality and reliability of the device