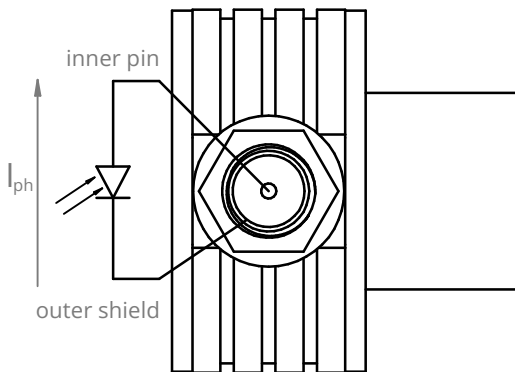
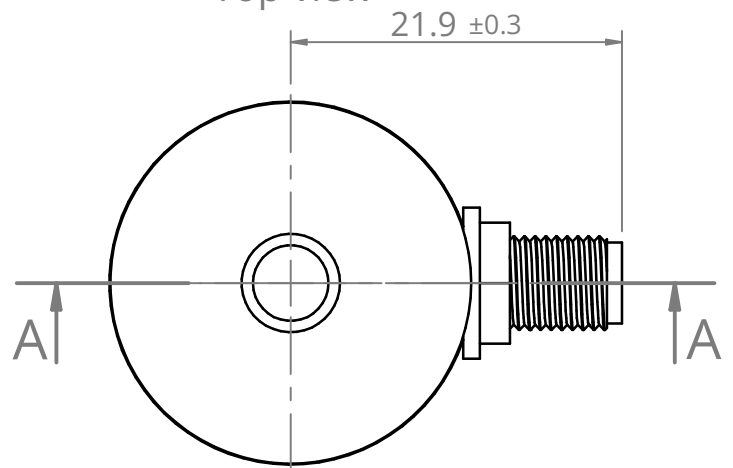


Side view
Photovoltaic



Top view



Output signal	
Inner pin	Active element anode
Outer shield	Active element cathode

Φ - Acceptance angle

8	Mounting pad	Brass
7	SMA connector	
6	Active element carrier	Silicon
5	Active element	HgCdTe/GaAs
4	Window	ZnSe AR
3	PEM lid	Black anodized aluminium
2	Detector case	Black anodized steel
1	PEM handle	Black anodized aluminium
No.	Name	Material

FIRST ANGLE
PROJECTION



UNIT: mm
GENERAL TOLERANCE:
ISO 2768-mK

Scale
2:1

Sheet
1/1

Size
A4

This document is the property of VIGO Photonics S.A. and may not be disclosed to third parties, copied or used in whole or in part for any purpose without written permission from VIGO Photonics S.A.

Date
04.03.2024

Drawing No.
ZTM-PEM-Z002

Rev.
5

Title
PEM-SMA-wW, PV detector

VIGO
PHOTONICS