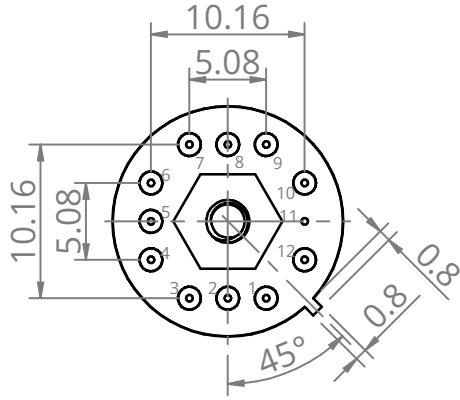
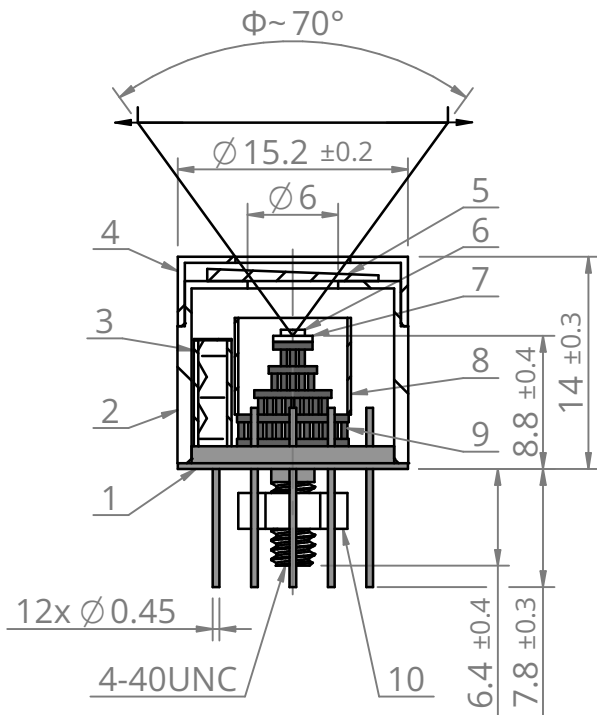
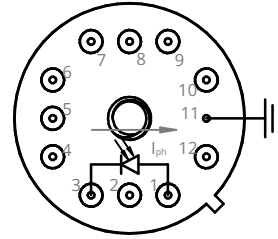


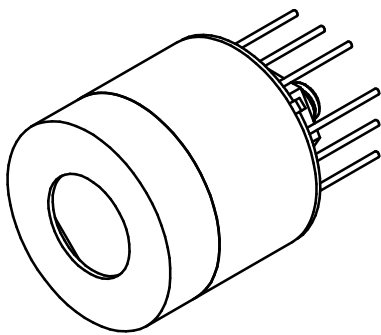
Bottom view



Bottom view
Photovoltaic



| Pinout | |
|---------|------------------------|
| Pin No. | Connection |
| 1 | Active element anode |
| 2 | TE cooler (+) |
| 3 | Active element cathode |
| 4 | Not used |
| 5 | Not used |
| 6 | Not used |
| 7 | Thermistor |
| 8 | TE cooler (-) |
| 9 | Thermistor |
| 10 | Not used |
| 11 | Chassis ground |
| 12 | Not used |



Φ - Acceptance angle

| | | |
|-----|-----------------------------|---|
| 10 | 4-40 UNC A2 nut | Stainless steel |
| 9 | Thermoelectric cooler | |
| 8 | Anticonvection carrier | POM |
| 7 | Active element carrier | Sapphire/Silicon |
| 6 | Active element | HgCdTe/InAs/InAsSb/GaAs |
| 5 | Window | Al ₂ O ₃ /ZnSe AR |
| 4 | Detector cap | Stainless steel |
| 3 | Humidity absorber container | Stainless steel |
| 2 | Detector case | Stainless steel |
| 1 | TO8 header | Gold plated Kovar |
| No. | Name | Material |

FIRST ANGLE
PROJECTION



UNIT: mm
GENERAL TOLERANCE:
ISO 2768-mK

Scale
2:1

Sheet
1/1

Size
A4

This document is the property of VIGO Photonics S.A. and may not be disclosed to third parties, copied or used in whole or in part for any purpose without written permission from VIGO Photonics S.A.

Date
01.03.2024

Drawing No.
ZTM-TO8-Z041

Rev.
9

Title
4TE-TO8(12p)-wW, PV detector

VIGO
PHOTONICS