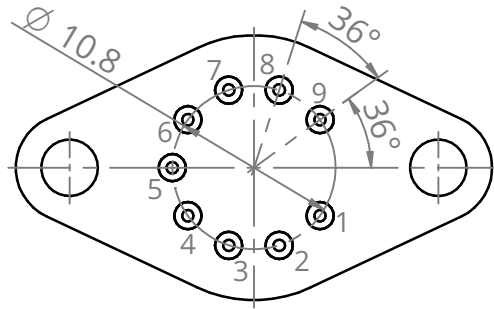
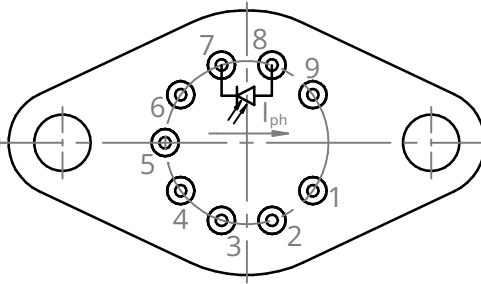


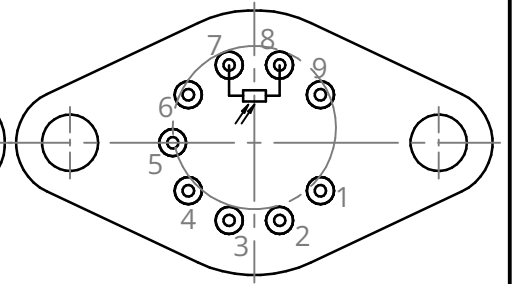
Bottom view



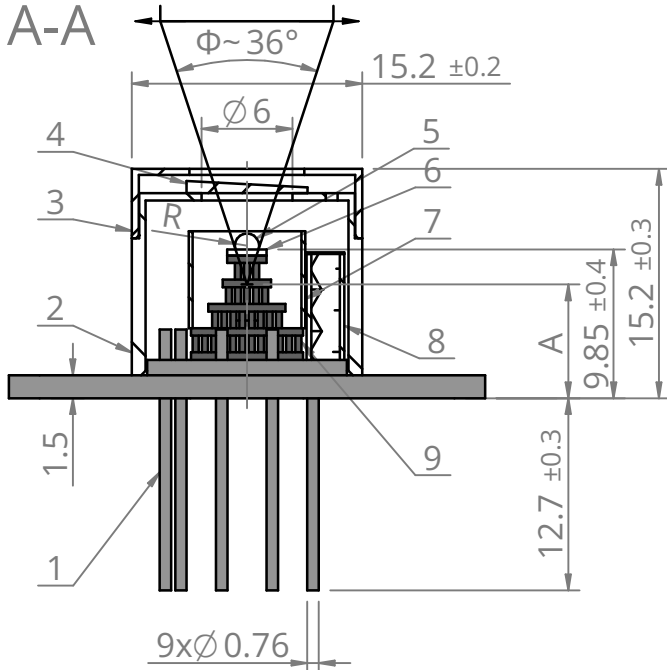
Bottom view
Photovoltaic



Bottom view
Photoconductive

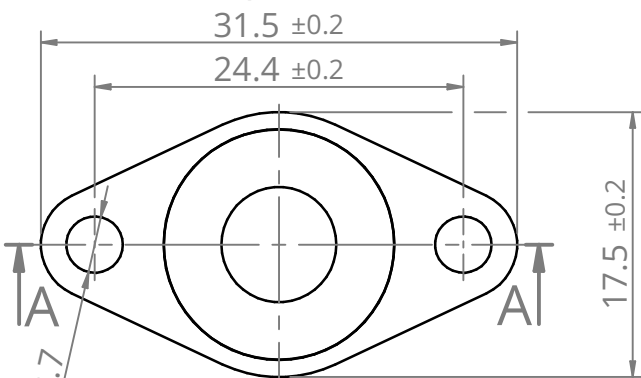


A-A

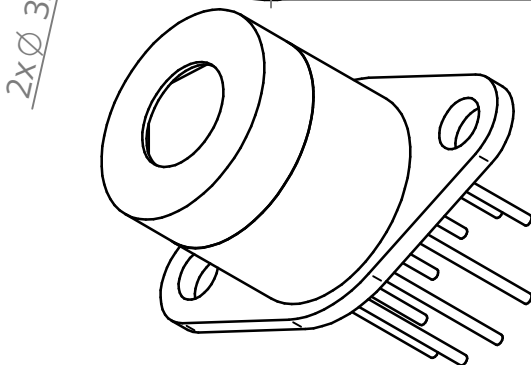


Pin No.	Pinout	
	Photovoltaic	Photoconductive
1	TE cooler (+)	TE cooler (+)
2	Not used	Not used
3	Not used	Not used
4	Not used	Not used
5	Thermistor	Thermistor
6	Thermistor	Thermistor
7	Active element cathode	Active element
8	Active element anode	Active element
9	TE cooler (-)	TE cooler (-)

Top view



Immersion lens shape	Hyperhemisphere	
Detector optical area [mm ²]	0.5x0.5	1x1
R [mm]	0.5	0.8
A [mm]	8.35±0.40	7.45±0.40



Φ - Acceptance angle

A - Distance from the bottom of the TO66 header to the focal plane

9	Thermoelectric cooler	
8	Humidity absorber container	Stainless steel
7	Anticonvection carrier	POM
6	Active element carrier	Sapphire/Silicon
5	Active element	HgCdTe/InAs/InAsSb/GaAs
4	Window	Al ₂ O ₃ /ZnSe AR
3	Detector cap	Stainless steel
2	Detector case	Stainless steel
1	TO66 header	Gold plated Kovar
No.	Name	Material

FIRST ANGLE
PROJECTION



UNIT: mm
GENERAL TOLERANCE:
ISO 2768-mK

Scale
2:1

Sheet
1/1

Size
A4

This document is the property of VIGO Photonics S.A. and may not be disclosed to third parties, copied or used in whole or in part for any purpose without written permission from VIGO Photonics S.A.

Date

01.03.2024

Drawing No.

ZTM-TO66-Z040

Rev.

8

Title

4TE-TO66(9p)-wW, PVI/PCI detector

VIGO
PHOTONICS