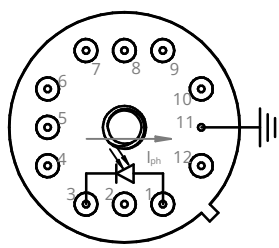
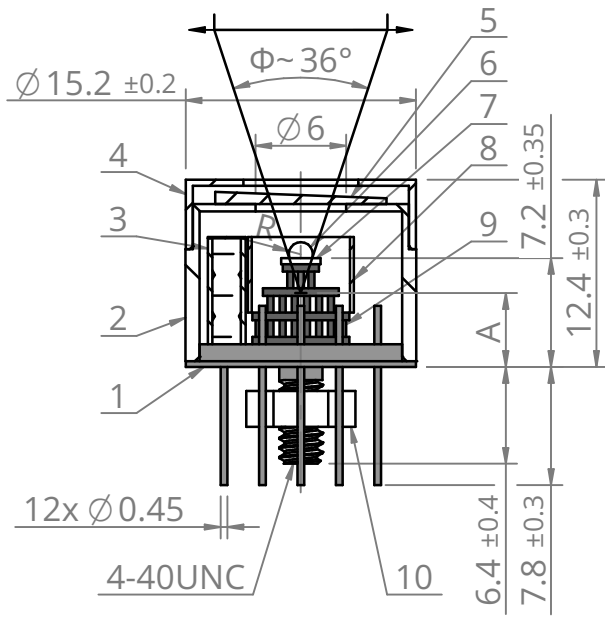
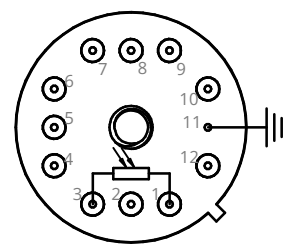


Bottom view
Photovoltaic

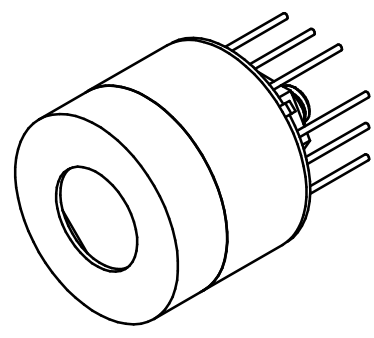


Bottom view
Photoconductive



Pin No.	Connection	
	Photovoltaic	Photoconductive
1	Active element anode	Active element
2	TE cooler (+)	TE cooler (+)
3	Active element cathode	Active element
4	Not used	Not used
5	Not used	Not used
6	Not used	Not used
7	Thermistor	Thermistor
8	TE cooler (-)	TE cooler (-)
9	Thermistor	Thermistor
10	Not used	Not used
11	Chassis ground	Chassis ground
12	Not used	Not used

Immersion lens shape	Hyperhemisphere	
Detector optical area [mm ²]	0.5x0.5	1x1
R [mm]	0.5	0.8
A [mm]	5.70±0.35	4.80±0.35



Φ - Acceptance angle
A - Distance from the bottom of the TO8 header to the focal plane

10	4-40 UNC A2 nut	Stainless steel
9	Thermoelectric cooler	
8	Anticonvection carrier	POM
7	Active element carrier	Sapphire/Silicon
6	Active element	HgCdTe/InAs/InAsSb/GaAs
5	Window	Al ₂ O ₃ /ZnSe AR
4	Detector cap	Stainless steel
3	Humidity absorber container	Stainless steel
2	Detector case	Stainless steel
1	TO8 header	Gold plated Kovar
No.	Name	Material

FIRST ANGLE PROJECTION	UNIT: mm GENERAL TOLERANCE: ISO 2768-mK	Scale 2:1	Sheet 1/1	Size A4	This document is the property of VIGO Photonics S.A. and may not be disclosed to third parties, copied or used in whole or in part for any purpose without written permission from VIGO Photonics S.A.
Date 01.03.2024	Drawing No. ZTM-TO8-Z030	Rev. 9	Title 3TE-TO8(12p)-wW, PVI/PCI detector		

