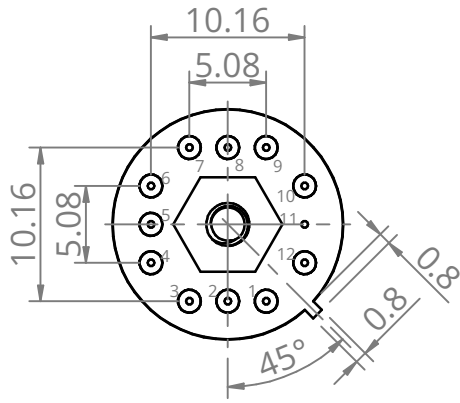
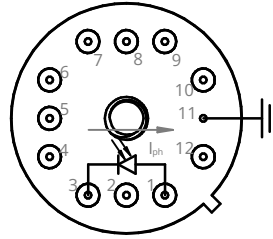


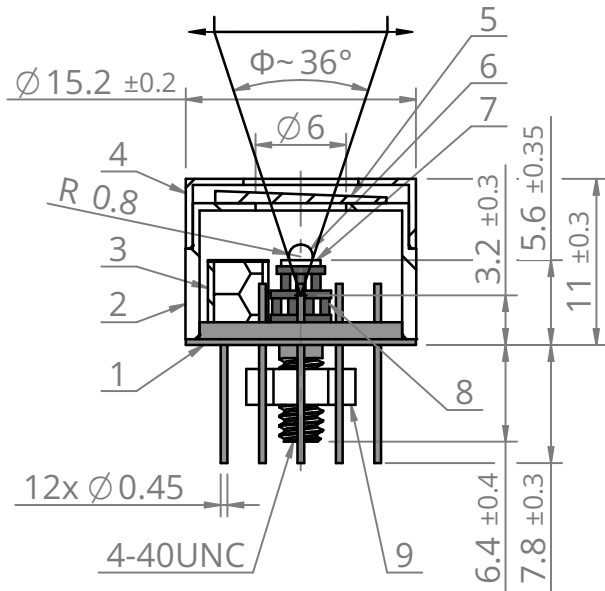
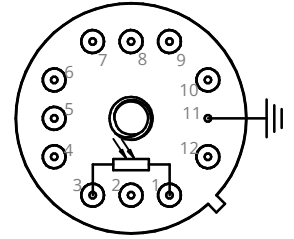
Bottom view



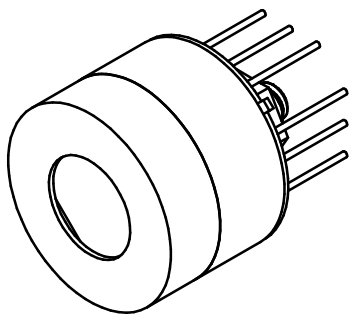
Bottom view
Photovoltaic



Bottom view
Photoconductive



Pin No.	Pinout	
	Photovoltaic	Photoconductive
1	Active element anode	Active element
2	TE cooler (+)	TE cooler (+)
3	Active element cathode	Active element
4	Not used	Not used
5	Not used	Not used
6	Not used	Not used
7	Thermistor	Thermistor
8	TE cooler (-)	TE cooler (-)
9	Thermistor	Thermistor
10	Not used	Not used
11	Chassis ground	Chassis ground
12	Not used	Not used



Φ - Acceptance angle

9	4-40 UNC A2 nut	Stainless steel
8	Thermoelectric cooler	
7	Active element carrier	Sapphire/Silicon
6	Active element	HgCdTe/InAs/InAsSb/GaAs
5	Window	Al ₂ O ₃ /ZnSe AR
4	Detector cap	Stainless steel
3	Humidity absorber container	Stainless steel
2	Detector case	Stainless steel
1	TO8 header	Gold plated Kovar
No.	Name	Material

FIRST ANGLE
PROJECTION



UNIT: mm
GENERAL TOLERANCE:
ISO 2768-mK

Scale
2:1

Sheet
1/1

Size
A4

This document is the property of VIGO Photonics S.A. and may not be disclosed to third parties, copied or used in whole or in part for any purpose without written permission from VIGO Photonics S.A.

Date
01.03.2024

Drawing No.
ZTM-TO8-Z020

Rev.
9

Title
2TE-TO8(12p)-wW, PVI/PCI detector

VIGO
PHOTONICS