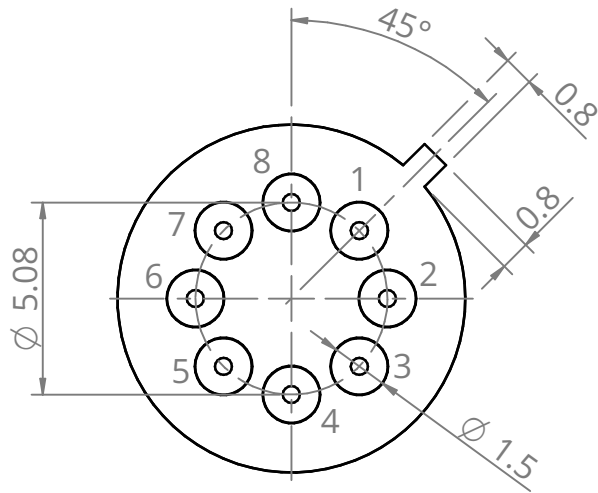
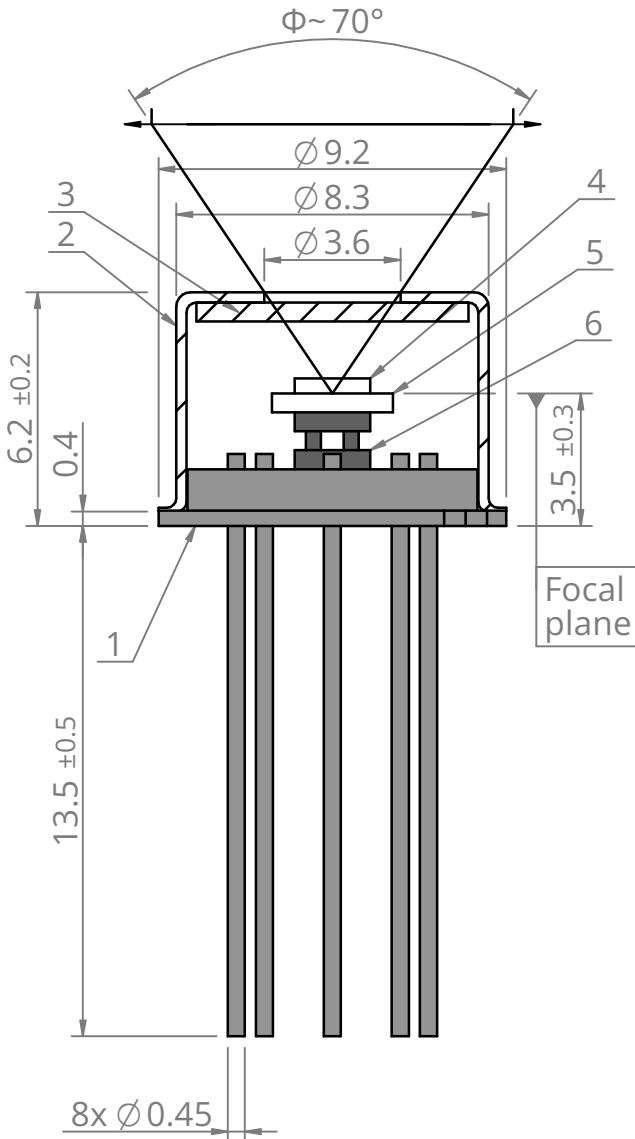
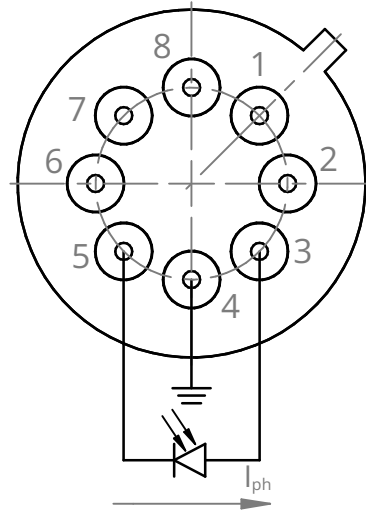


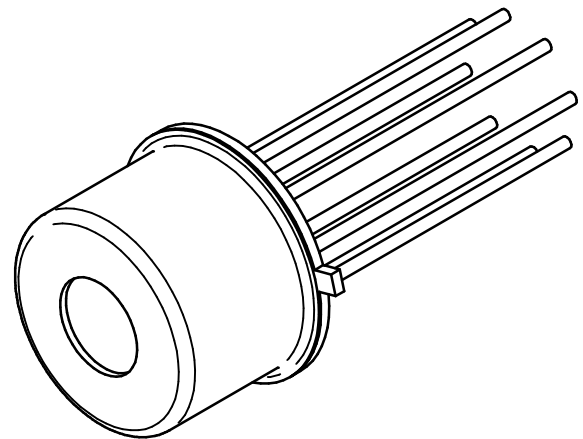
Bottom view



Bottom view
Photovoltaic



Pinout	
Pin No.	Connection
1	TE cooler (+)
2	Not used
3	Active element anode
4	Chassis ground
5	Active element cathode
6	Thermistor
7	TE cooler (-)
8	Thermistor



Φ - Acceptance angle

6	Thermoelectric cooler	
5	Active element carrier	Silicon
4	Active element	InAs/InAsSb/GaAs
3	Window	Si AR
2	Detector cap	Kovar
1	TO39 header	Gold plated Kovar
No.	Name	Material

FIRST ANGLE
PROJECTION



UNIT: mm
GENERAL TOLERANCE:
ISO 2768-mK

Scale
5:1

Sheet
1/1

Size
A4

This document is the property of VIGO Photonics S.A. and may not be disclosed to third parties, copied or used in whole or in part for any purpose without written permission from VIGO Photonics S.A.

Date
25.04.2024

Drawing No.
ZTM-TO39_8-Z001

Rev.
6

Title
1TE-TO39(8p)-pW, PV detector

VIGO
PHOTONICS