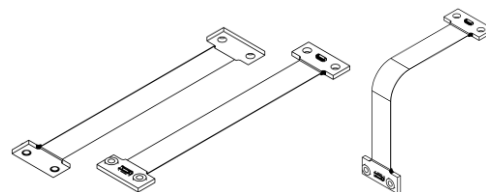


AMS-90-FLEX

PRELIMINARY DATASHEET

Flexible stack extender for the AMS modules and accessories



FEATURES

- Compatible with the [AMS modules series](#) and accessories
- Flexible connection between the module and other PCBs
- 5 mm minimal bending radius

APPLICATIONS

- Embedded systems
- Rapid prototyping

GENERAL DESCRIPTION

The AMS-90-FLEX is a 90 mm semi-flex board for the AMS modules and accessories. It is designed to be an easy tool for rapid prototyping, proof-of-concept work, and final devices.

CONNECTIVITY

Two connectors are available. They are interconnected in a way that allows transparent work without modification of any signals. The AMS-90-FLEX board can be used between any two analog boards of the AMS family. A generic electrical diagram is presented in FIGURE 1.

TABLE OF CONTENTS

FEATURES	1
APPLICATIONS.....	1
GENERAL DESCRIPTION	1
CONNECTIVITY	1
TABLE OF CONTENTS	1
ELECTRICAL DIAGRAM.....	2
MECHANICAL REQUIREMENTS.....	2
EXAMPLE APPLICATION	2
MECHANICAL LAYOUT	3

ELECTRICAL DIAGRAM

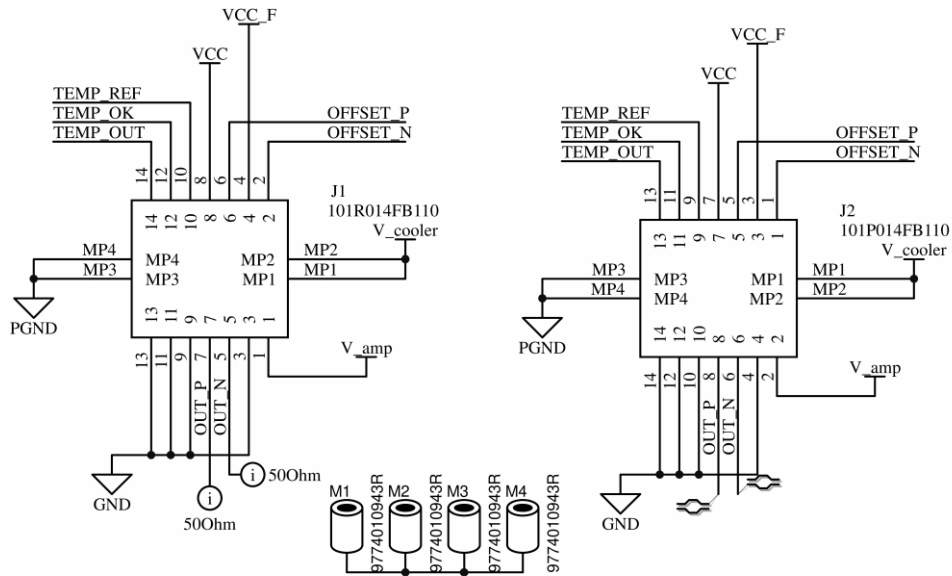


FIGURE 1. Schematic diagram of the AMS-90-FLEX

MECHANICAL REQUIREMENTS

The connectors are very sensitive to mechanical stress. The boards have to be fixed to each other with screws and nuts.

EXAMPLE APPLICATION

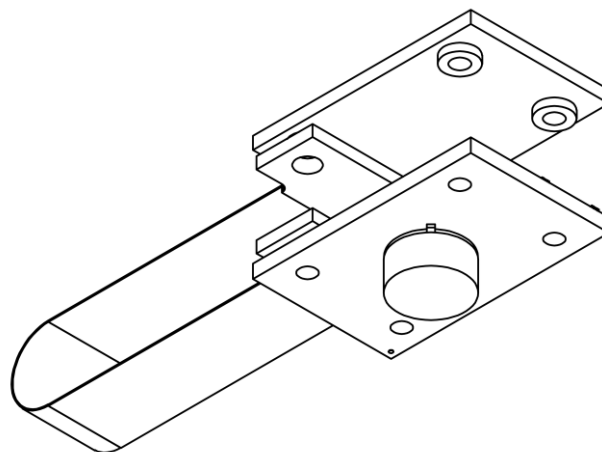


Figure 2 Example application of the AMS-90-FLEX between the AMS3140 module and the AMS-x10-AMP or AMS-x10-ACAMP external amplifier

MECHANICAL LAYOUT

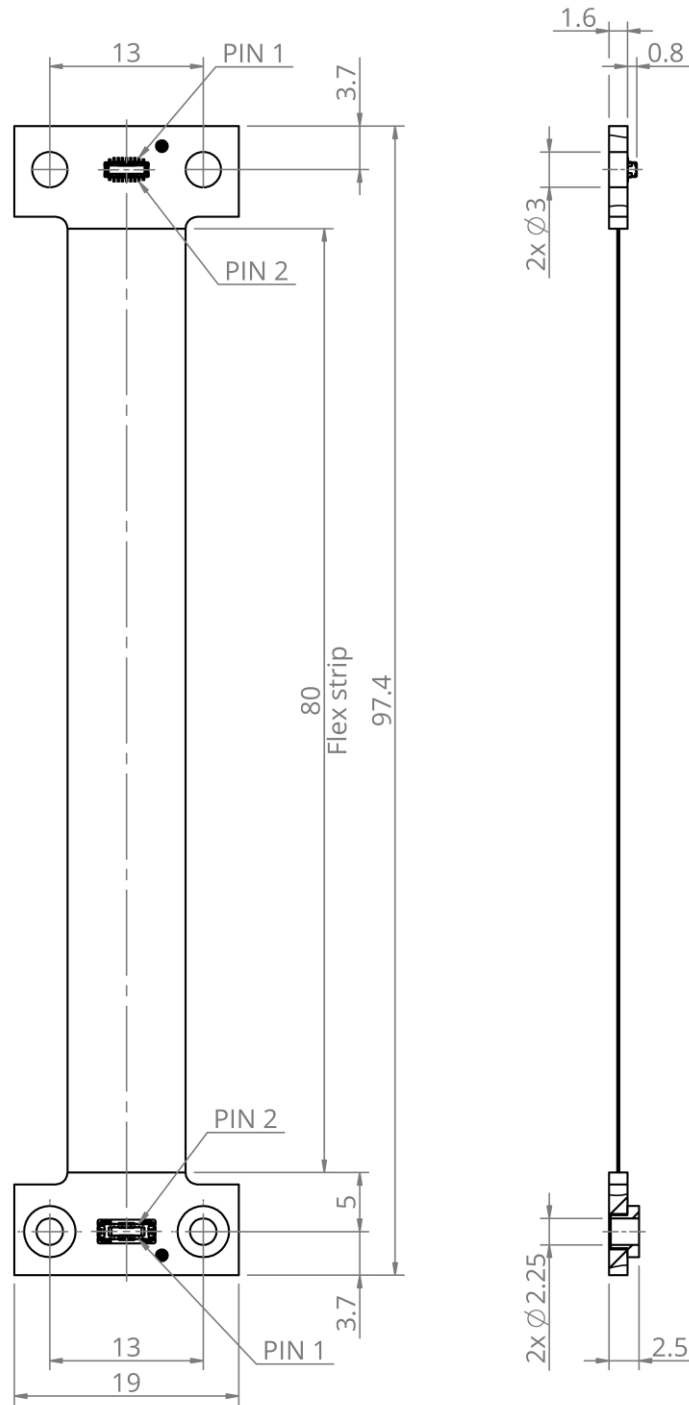


FIGURE 3. Dimensions of the AMS-90-FLEX (given in mm)