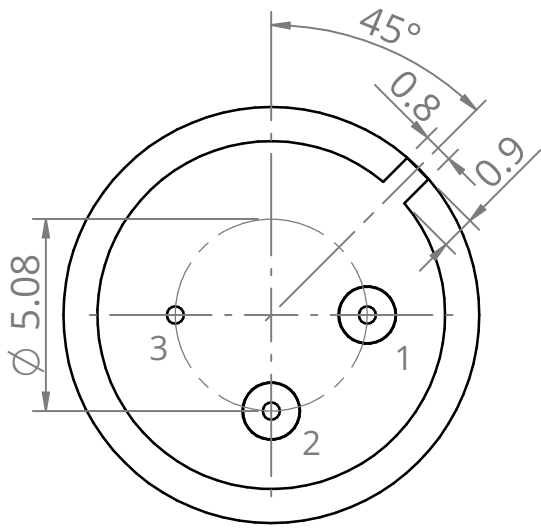
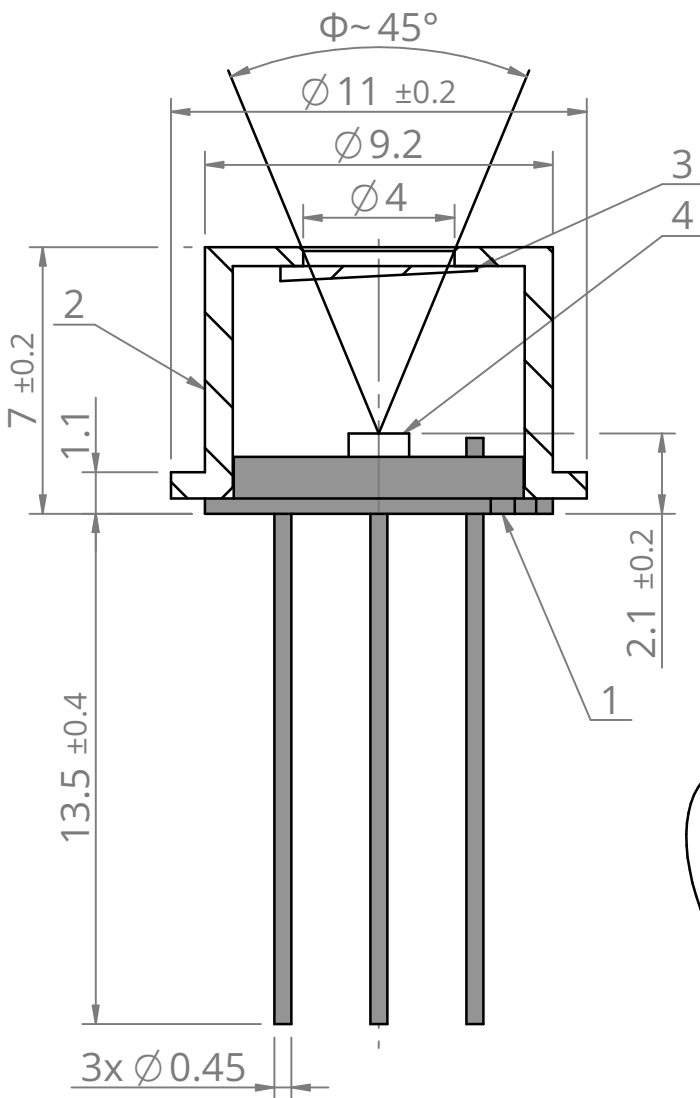
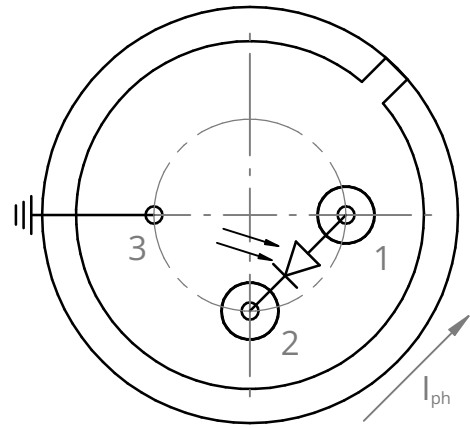


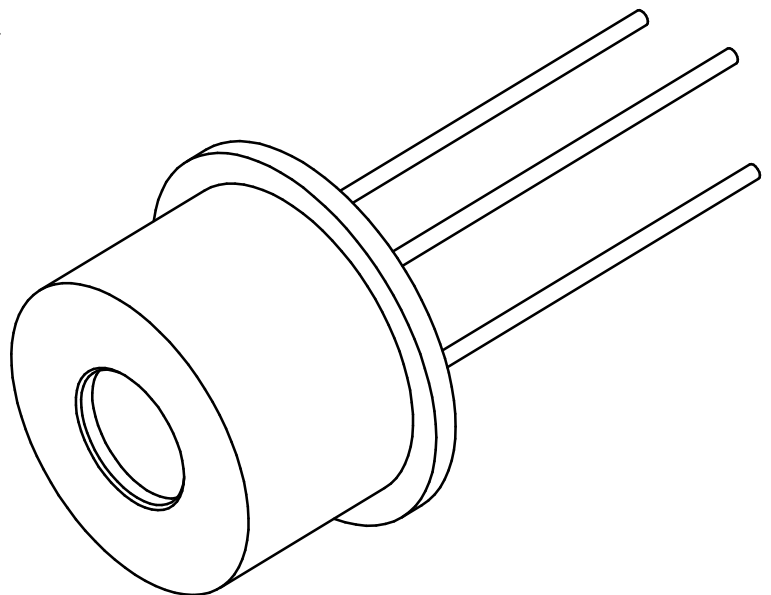
Bottom view



Bottom view
Photovoltaic



Pinout	
Pin No.	Connection
1	Detector anode
2	Detector cathode
3	Ground



4	Detector	InP/InGaAs
3	Window	Al ₂ O ₃
2	Detector cap	Stainless Steel
1	TO39 header	Gold plated Kovar
No.	Name	Material

FIRST ANGLE PROJECTION	UNIT: mm GENERAL TOLERANCE: ISO 2768-mK	Scale 5:1	Sheet 1/1	Size A4	This document is the property of VIGO Photonics S.A. and may not be disclosed to third parties, copied or used in whole or in part for any purpose without written permission from VIGO Photonics S.A.
Date 26.06.2023	Drawing No. ZTM-TO39-Z228.1	Rev. 1	Title Detector TO39 v2 - no immersion		