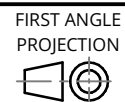
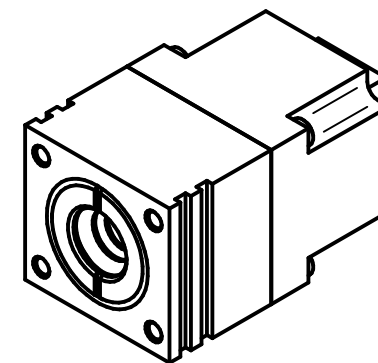
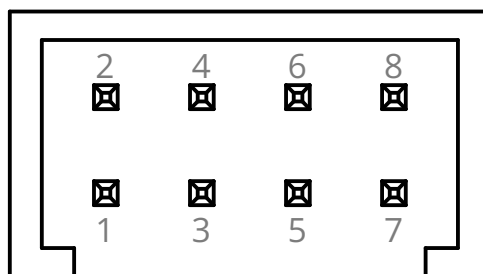


Power supply and TEC control socket
AMPMODU 2x4 (male)

Pin No.	Symbol	Function
1	-Vsup	Power supply input (-)
2	TH2	Thermistor output (2)
3	DATA	Data pin
4	TEC-	TEC supply input (-)
5	GND	Ground
6	TH1	Thermistor output (1)
7	+Vsup	Power supply input (+)
8	TEC+	TEC supply input (+)



UNIT: mm
GENERAL TOLERANCE:
ISO 2768-mK

Scale
2:1

Sheet
1/1

Size
A4

This document is the property of VIGO System S.A. and may not be disclosed to third parties, copied or used in whole or in part for any purpose without written permission from VIGO System S.A.

Date
20.05.2022

Drawing No.
SM-I-12

Rev.
1

Title
SM-I-12