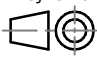

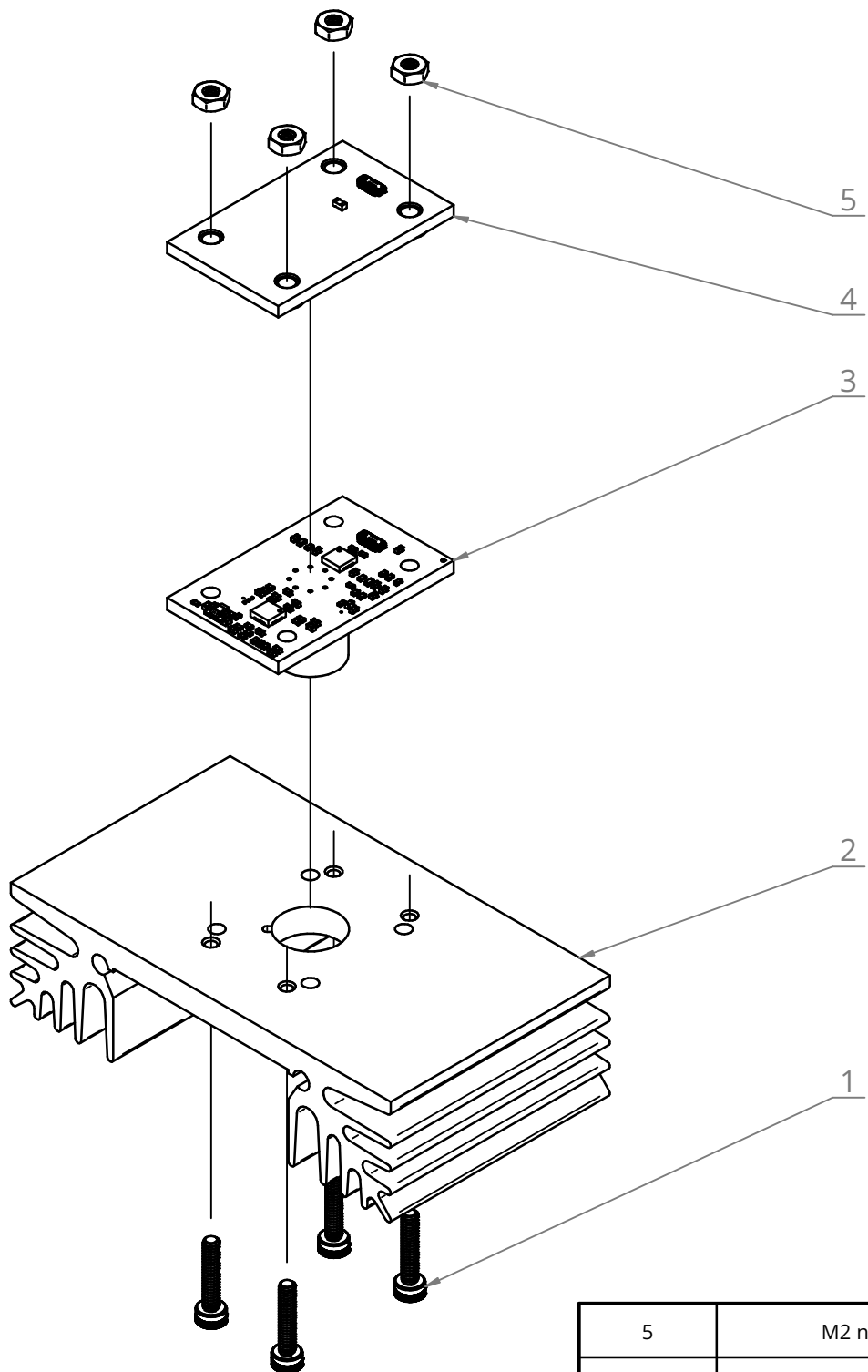
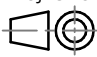


FIRST ANGLE PROJECTION 	UNIT: mm GENERAL TOLERANCE: ISO 2768-mK	Scale 2:1	Sheet 1/2	Size A4	This document is the property of VIGO Photonics S.A. and may not be disclosed to third parties, copied or used in whole or in part for any purpose without written permission from VIGO Photonics S.A.
Date 25.07.2023	Drawing No. ZTM-AMS_100_LPF-Z215.1	Rev. 4	Title AMS-100k-LPF		



5	M2 nut (not included)	4
4	AMS-100k-LPF	1
3	AMS detection module with detector (available to order)	1
2	Heatsink (available to order)	1
1	M2x10 screw (not included)	4
Part No.	Name of part	Quantity

FIRST ANGLE PROJECTION 	UNIT: mm GENERAL TOLERANCE: ISO 2768-mK	Scale 1:1	Sheet 2/2	Size A4	This document is the property of VIGO Photonics S.A. and may not be disclosed to third parties, copied or used in whole or in part for any purpose without written permission from VIGO Photonics S.A.
Date 25.07.2023	Drawing No. ZTM-AMS_100_LPF-Z215.1	Rev. 4	Title AMS-100k-LPF		