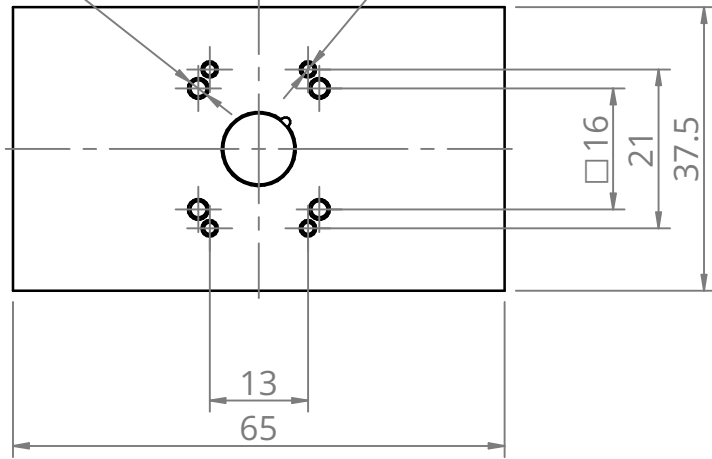


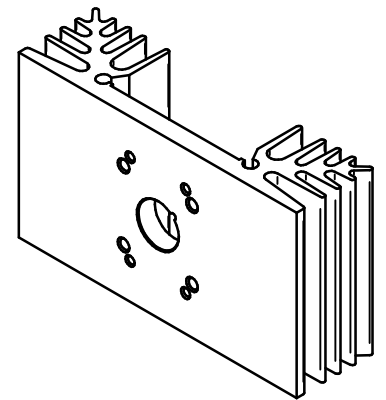
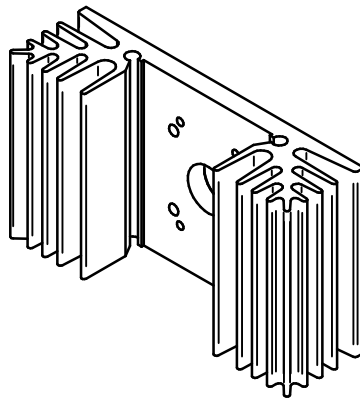
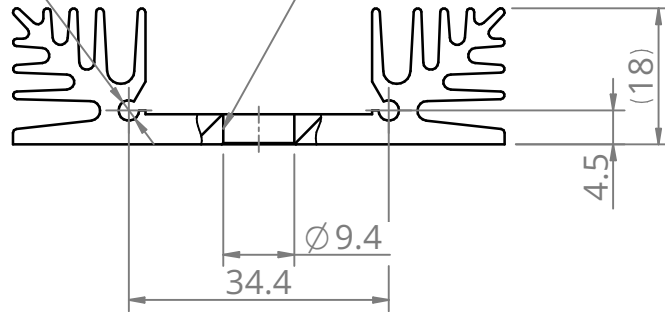
4x #4-40UNC
THRU ALL

4x M2
THRU ALL



2x Ø 2.7
TRHU ALL

Hole for the AMS module



FIRST ANGLE
PROJECTION



UNIT: mm
GENERAL TOLERANCE:
ISO 2768-mK

Scale
1:1

Sheet
1/1

Size
A4

This document is the property of VIGO Photonics S.A. and may not be disclosed to third parties, copied or used in whole or in part for any purpose without written permission from VIGO Photonics S.A.

Date
06.06.2023

Drawing No.
ZTM-AMS_H-R086.4.2.3

Rev.
2

Title
AMS - HS

VIGO
PHOTONICS