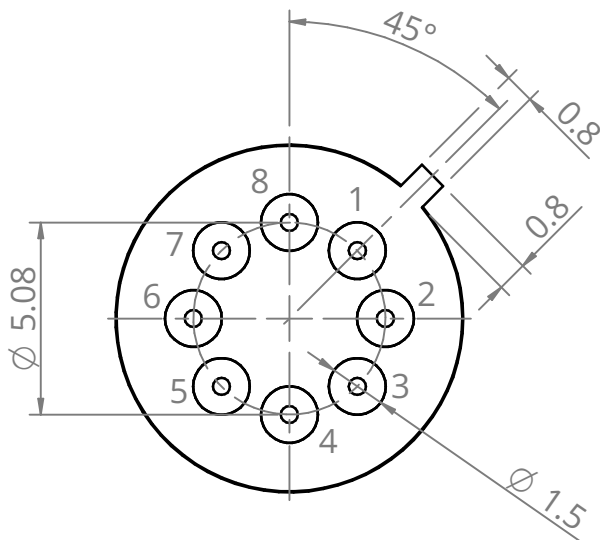
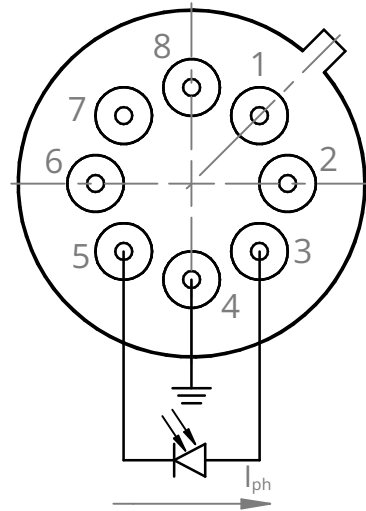


Bottom view

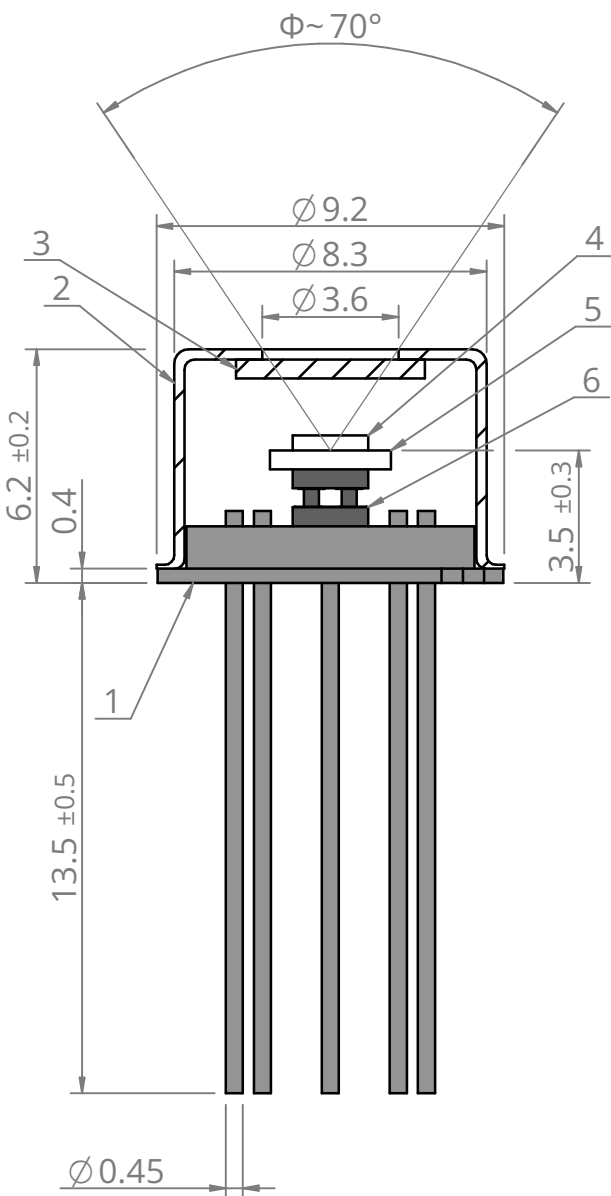


Bottom view

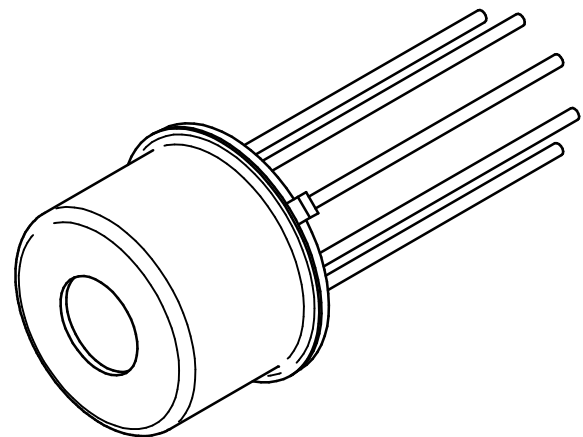
Photovoltaic



$\Phi \sim 70^\circ$



Pinout	
Pin No.	Connection
1	TE cooler (+)
2	Not used
3	Detector anode (+)
4	Ground
5	Detector cathode (-)
6	Thermistor Pin 1
7	TE cooler (-)
8	Thermistor Pin 2



6	Thermoelectric cooler	
5	Detector carrier	Silicon
4	Detector	InAs/InAsSb/GaAs
3	Window	Si AR
2	Detector cap	Kovar
1	TO39 header	Gold plated Steel
No.	Name	Material

FIRST ANGLE PROJECTION



UNIT: mm  
GENERAL TOLERANCE:  
ISO 2768-mK

Scale  
5:1

Sheet  
1/1

Size  
A4

This document is the property of VIGO Photonics S.A. and may not be disclosed to third parties, copied or used in whole or in part for any purpose without written permission from VIGO Photonics S.A.

Date  
17.01.2023

Drawing No.  
ZTM-TO39\_8-Z001

Rev.  
4

Title  
Detector TO39 8 pin - no immersion

**VIGO**  
PHOTONICS