



40 Pin Flatpack

Flatpack_40_1_VIGO

Documentation

rev. 2/16

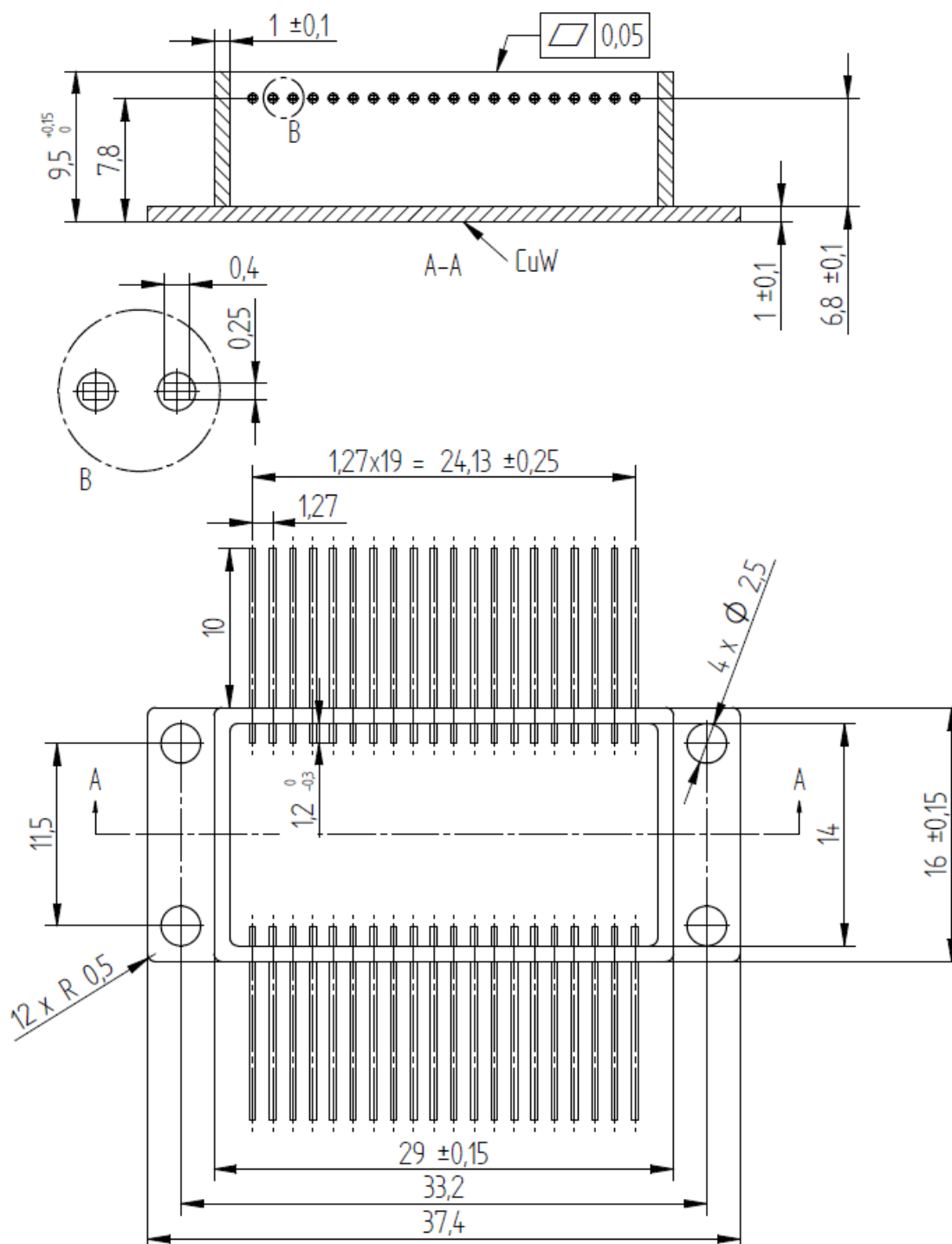
Flatpack_40_1_VIGO

Performance Parameters

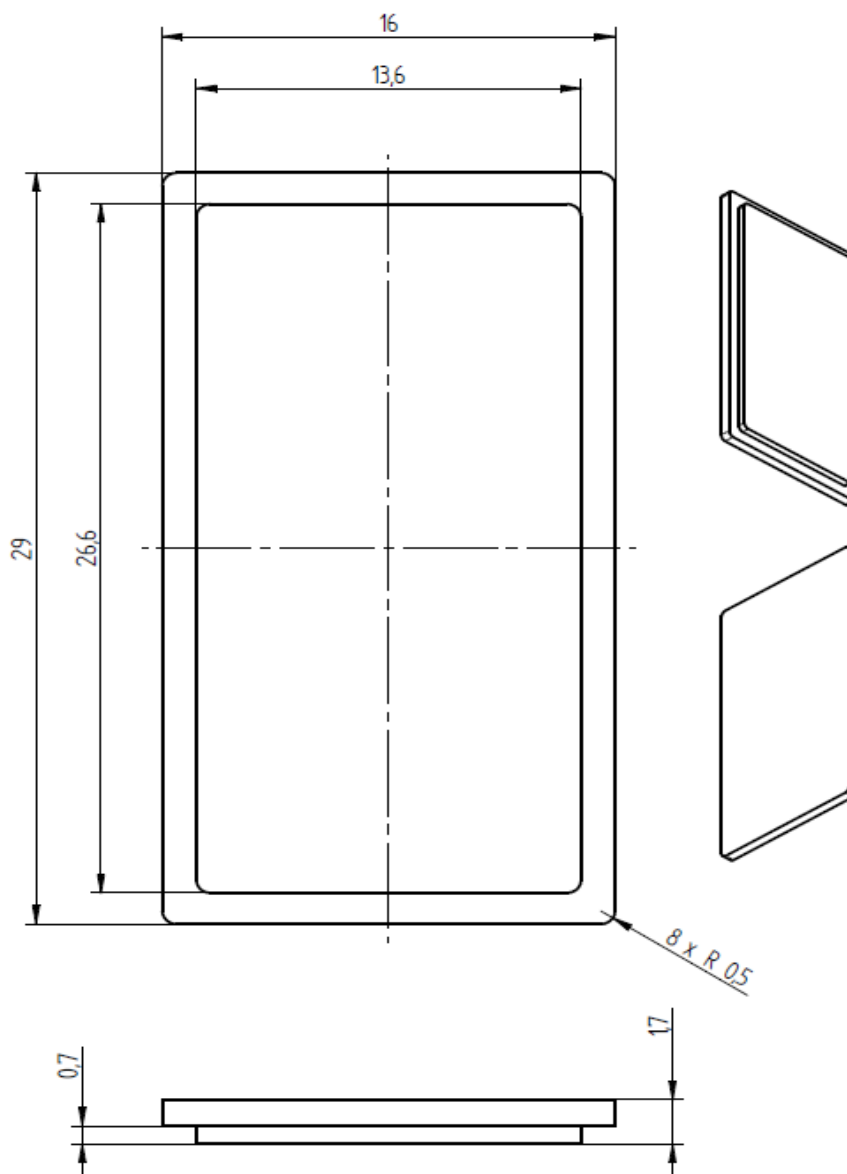
Type	Number of pins	Feedthrough Type	Insulation Resistance	Hermeticity Pa $\frac{\text{cm}^3}{\text{sec}}$	Dimensions Tolerance
Flatpack_40_1	40	Glass to metal	$10^9 \Omega$ (500 VDC)	10^{-3}	+/- 0.2 mm

Technical Drawing

Package



Cover



Flatpack Material

Bottom Material	Ring Frame Material	Pin Material	Surface Roughness [Ra]	Flatness	Plating
CuW	Kovar (4J29)	Kovar (4J29)	1.2 μm	1.2 μm	Ni 2.5-8.9 μm Au \geq 0.75 μm

Cover Material

Material	Surface Roughness [Ra]	Flatness	Plating
Kovar (4J29)	1.2 μm	1.2 μm	Ni 2.5-8.9 μm , Au \geq 0.2 μm

Changes in revisions

Rev Nr.	Date	Change
Rev 1	27/10/16	initial version
Rev 2	09/11/16	Adding material and specification