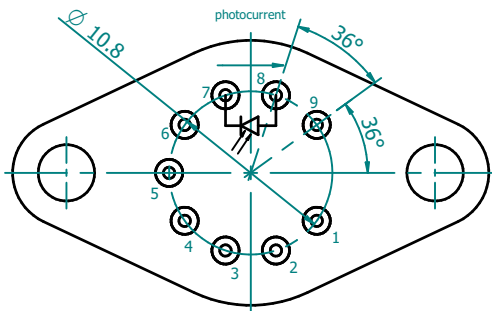
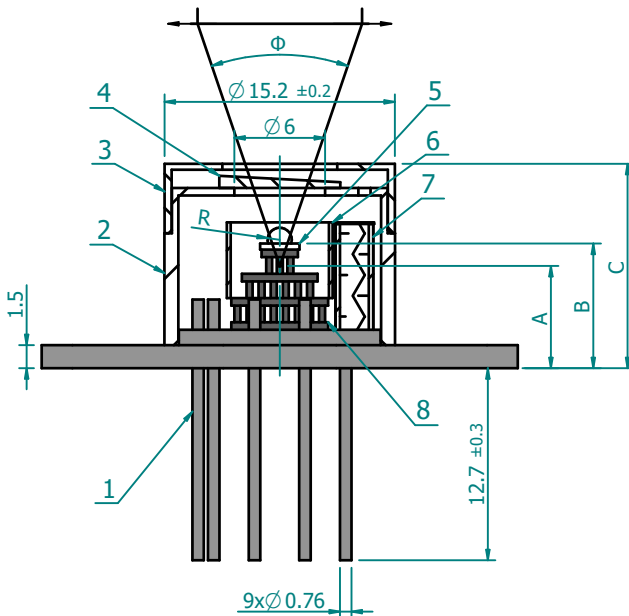


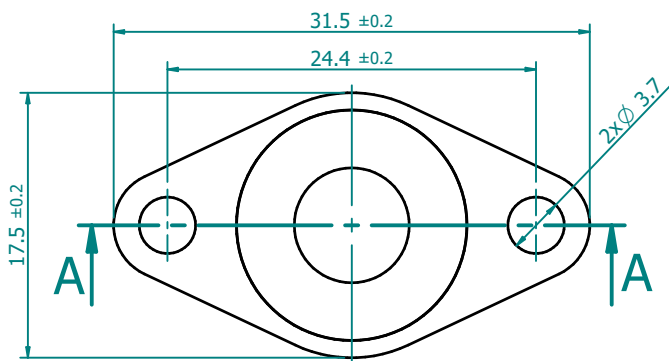
Bottom view



A-A



Top view



Two-stage thermoelectric cooler - 2TE				
Immersion lens shape	Hyperhemisphere			Without lens
Detector optical area [mm ²]	0.5x0.5	1x1	2x2	0.01x0.01 - 4x4
R [mm]	0.5	0.8	1.25	infinity
A [mm]	5.15±0.30	3.2±0.3	1.85±0.30	6.65±0.30
B [mm]	6.65±0.30	6.65±0.30	6.65±0.30	6.65±0.30
C [mm]	12.1±0.3	12.1±0.3	12.1±0.3	12.1±0.3
Acceptance angle Φ	~36°	~36°	~36°	~70°

Three-stage thermoelectric cooler - 3TE				
Immersion lens shape	Hyperhemisphere			Without lens
Detector optical area [mm ²]	0.5x0.5	1x1	2x2	0.01x0.01 - 4x4
R [mm]	0.5	0.8	1.25	infinity
A [mm]	6.75±0.35	5.85±0.35	4.50±0.35	8.25±0.35
B [mm]	8.25±0.35	8.25±0.35	8.25±0.35	8.25±0.35
C [mm]	13.5±0.3	13.5±0.3	13.5±0.3	13.5±0.3
Acceptance angle Φ	~36°	~36°	~36°	~70°

Four-stage thermoelectric cooler - 4TE				
Immersion lens shape	Hyperhemisphere			Without lens
Detector optical area [mm ²]	0.5x0.5	1x1	2x2	0.01x0.01 - 4x4
R [mm]	0.5	0.8	1.25	infinity
A [mm]	8.35±0.40	7.45±0.40	6.1±0.4	9.85±0.40
B [mm]	9.85±0.40	9.85±0.40	9.85±0.40	9.85±0.40
C [mm]	15.2±0.3	15.2±0.3	15.2±0.3	15.2±0.3
Acceptance angle Φ	~36°	~36°	~36°	~70°

A - Distance from the bottom of the TO66 header to the focal plane

Pinout	
Detector	7 and 8
Reverse bias (optional)	7(-) and 8(+)
Thermistor	5 and 6
TE cooler supply	1(+) and 9(-)
Not used	2, 3, 4

8	Thermoelectric cooler	
7	Humidity absorber container	Stainless steel
6	Anticonvection shield	POM
5	Detector on sapphire pad	HgCdTe/InAs/InAsSb/GaAs/Sapphire
4	Window	Al ₂ O ₃ / ZnSe AR
3	Detector cap	Stainless steel
2	Detector case	Stainless steel
1	TO66 header	Gold plated Kovar
No.	Name	Material



UNIT: mm
GENERAL TOLERANCE:
ISO 2768-mK

Scale
2:1

Sheet
1/1

Size
A4

This document is the property of VIGO System S.A. and may not be disclosed to third parties, copied or used in whole or in part for any purpose without written permission from VIGO System S.A.

Date
23.09.2020

Drawing No.
ZWP-TO66-Z000

Rev.
7

Weight
12±1

Title
Photovoltaic detector TO66

