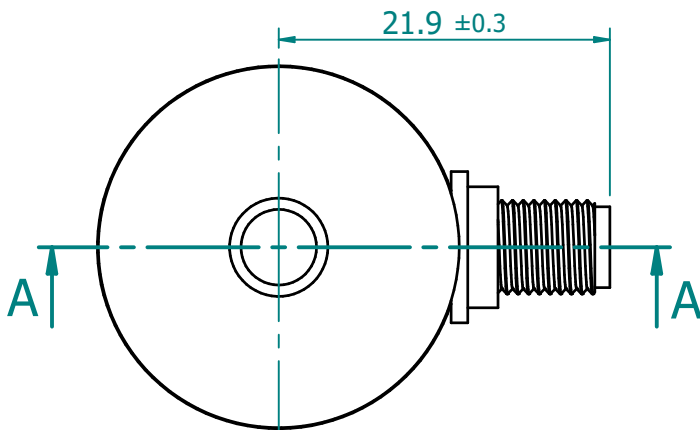


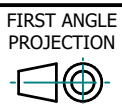
Immersion lens shape	Hyperhemisphere		Without lens
Detector optical area [mm ²]	1x1	2x2	1x1 - 2x2
R [mm]	0.8	1.25	infinity
A [mm]	9.3±0.4	10.65±0.40	6.9±0.2
B [mm]	6.9±0.2	6.9±0.2	6.9±0.2
Acceptance angle Φ	~36°	~36°	~48°

A - Distance from the top of the PEM lid to the focal plane

Top view



7	Mounting pad	Brass
6	SMA connector	
5	Detector on sapphire pad	HgCdTe/InAs/InAsSb/GaAs/Sapphire
4	Window	ZnSe AR
3	PEM lid	Black anodized aluminium
2	PEM housing	Black anodized steel
1	PEM handle	Black anodized aluminium
No.	Name	Material



UNIT: mm
GENERAL TOLERANCE:
ISO 2768-mK

Scale
2:1

Sheet
1/1

Size
A4

This document is the property of VIGO System S.A. and may not be disclosed to third parties, copied or used in whole or in part for any purpose without written permission from VIGO System S.A.

Date
24.04.2020

Drawing No.
ZWP-PEM-Z000

Rev.
7

Weight

Title

Detector PEM SMA

