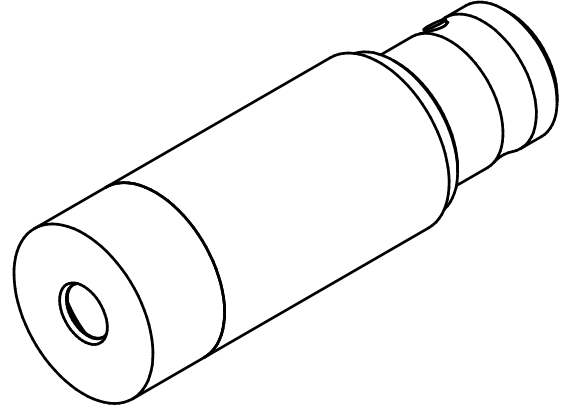
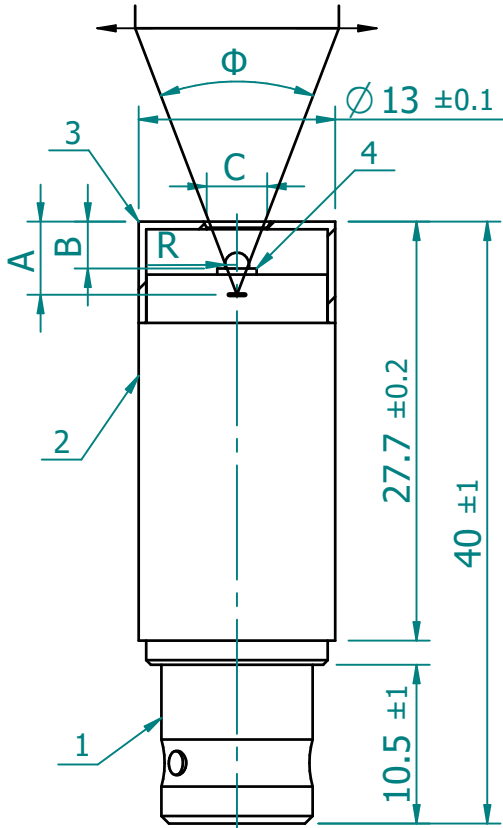
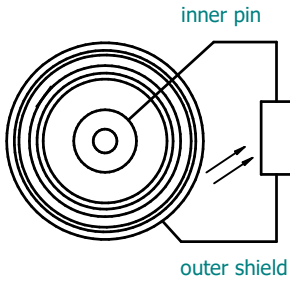
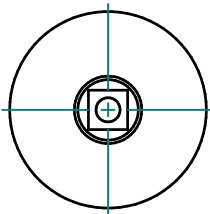


Bottom view

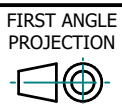


Immersion lens shape	Hyperhemisphere			Without lens	
	0.5x0.5	1x1	2x2	0.01x0.01 - 2x2	2x2 - 4x4
Detector optical area [mm ²]	0.5	1	4	0.01	4
R [mm]	0.5	0.8	1.25	infinity	infinity
A [mm]	4.6±0.3	5.5±0.3	6.85±0.3	1.6±0.3	1.6±0.3
B [mm]	3.1±0.15	3.1±0.15	3.1±0.15	1.6±0.15	1.6±0.15
C [mm]	∅4	∅4	∅4	∅4	∅6
Acceptance angle Φ	~36°	~36°	~36°	~102°	~124°

Top view



4	Detector on sapphire pad	HgCdTe/InAs/InAsSb/GaAs/Sapphire
3	Detector cap	Copper covered with CrNi
2	Detector case	Copper covered with CrNi
1	BNC connector-may vary from shown in drawing	
No.	Name	Material



UNIT: mm
GENERAL TOLERANCE:
ISO 2768-mK

Scale
2:1

Sheet
1/1

Size
A4

This document is the property of VIGO System S.A. and may not be disclosed to third parties, copied or used in whole or in part for any purpose without written permission from VIGO System S.A.

Date
23.09.2020

Drawing No.
ZWP-BNC-Z003

Rev.
3

Weight
25±1

Title
Photoconductive detector BNC

