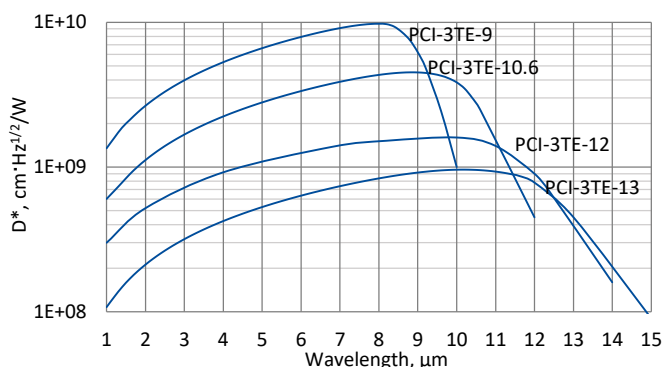


PCI-3TE series

1.0 – 15.0 μm HgCdTe three-stage thermoelectrically cooled, optically immersed photoconductive detectors

PCI-3TE series features three-stage thermoelectrically cooled IR photoconductive detectors based on sophisticated HgCdTe heterostructures for the best performance and stability, optically immersed in order to improve parameters of the devices. The detectors are optimized for the maximum performance at λ_{opt} . Cut-on wavelength is limited by GaAs transmittance ($\sim 0.9 \mu\text{m}$). The devices should operate in optimum bias voltage and current readout mode. Performance at low frequencies is reduced due to 1/f noise. The 1/f noise corner frequency increases with the cut-off wavelength. 3° wedged zinc selenide anti-reflection coated (wZnSeAR) window prevents unwanted interference effects.

Spectral response ($T_a = 20^\circ\text{C}$)



Exemplary spectral detectivity, the spectral response of delivered devices may differ.



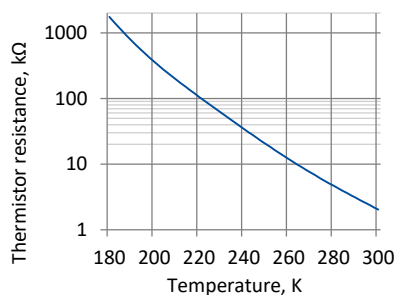
Specification ($T_a = 20^\circ\text{C}$)

Parameter	Detector type			
	PCI-3TE-9	PCI-3TE-10.6	PCI-3TE-12	PCI-3TE-13
Active element material	epitaxial HgCdTe heterostructure			
Optimal wavelength λ_{opt} , μm	9.0	10.6	12.0	13.0
Detectivity $D^*(\lambda_{\text{peak}}, 20\text{kHz})$, $\text{cm}\cdot\text{Hz}^{1/2}/\text{W}$	$\geq 1.0 \times 10^{10}$	$\geq 4.5 \times 10^9$	$\geq 1.6 \times 10^9$	$\geq 9.0 \times 10^8$
Detectivity $D^*(\lambda_{\text{opt}}, 20\text{kHz})$, $\text{cm}\cdot\text{Hz}^{1/2}/\text{W}$	$\geq 6.2 \times 10^9$	$\geq 2.5 \times 10^9$	$\geq 9.0 \times 10^8$	$\geq 4.5 \times 10^8$
Current responsivity-optical area length product $R_i(\lambda_{\text{opt}}) \cdot L_o$, $\text{A}\cdot\text{mm}/\text{W}$	≥ 0.7	≥ 0.17	≥ 0.07	≥ 0.03
Time constant τ , ns	≤ 60	≤ 20	≤ 5	≤ 4
1/f noise corner frequency f_c , Hz	$\leq 10\text{k}$		$\leq 20\text{k}$	
Bias voltage-optical area length ratio V_b/L_o , V/mm	≤ 0.2		≤ 0.15	
Resistance R , Ω	≤ 400		≤ 300	
Active element temperature T_{det} , K		~ 210		
Optical area A_o , mm \times mm		0.5 \times 0.5, 1 \times 1, 2 \times 2		
Package		TO8, TO66		
Acceptance angle Φ		$\sim 36^\circ$		
Window		wZnSeAR		

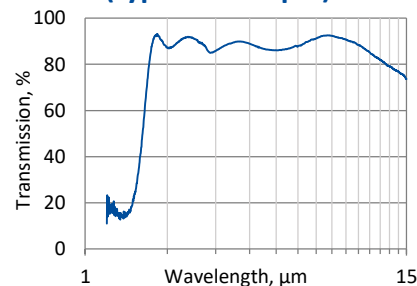
Three-stage thermoelectric cooler parameters

Parameter	Value
T_{det} , K	~ 210
V_{max} , V	3.6
I_{max} , A	0.45
Q_{max} , W	0.27

Thermistor characteristics

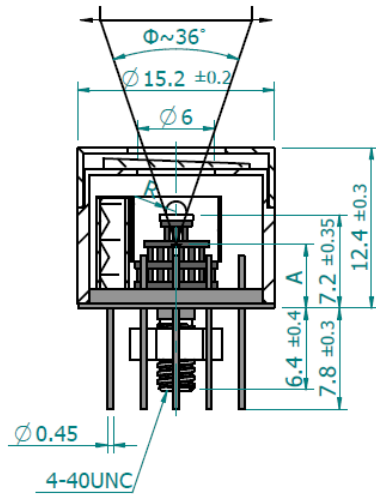


Spectral transmission of wZnSeAR window (typical example)



Mechanical layout, mm

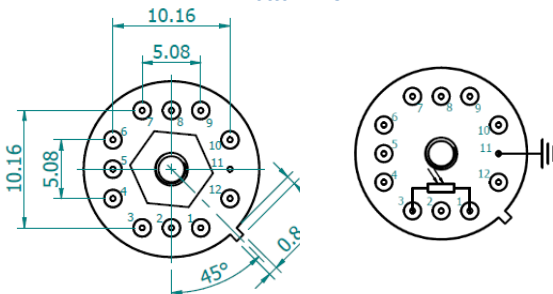
3TE-T08 package



Parameter	Value		
Immersion microlens shape	hyperhemisphere		
Optical area A ₀ , mm×mm	0.5×0.5	1×1	2×2
R, mm	0.5	0.8	1.25
A, mm	5.7±0.35	4.8±0.35	3.45±0.35

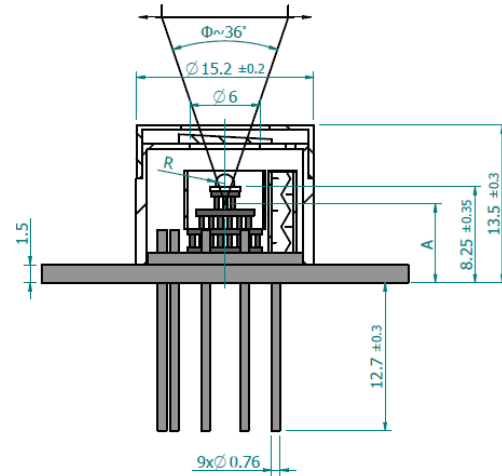
Φ – acceptance angle
 R – hyperhemisphere microlens radius
 A – distance from the bottom of 3TE-T08 header to the focal plane

Bottom view



Function	Pin number
Detector	1, 3
Thermistor	7, 9
TE cooler supply	2(+), 8(-)
Chassis ground	11
Not used	4, 5, 6, 10, 12

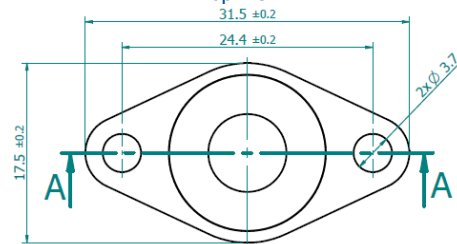
3TE-T066 package



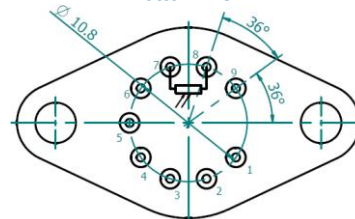
Parameter	Value		
Immersion microlens shape	hyperhemisphere		
Optical area A ₀ , mm×mm	0.5×0.5	1×1	2×2
R, mm	0.5	0.8	1.25
A, mm	6.75±0.35	5.85±0.35	4.50±0.35

Φ – acceptance angle
 R – hyperhemisphere microlens radius
 A – distance from the bottom of 3TE-T066 header to the focal plane

Top view



Bottom view



Function	Pin number
Detector	7, 8
Thermistor	5, 6
TE cooler supply	1(+), 9(-)
Not used	2, 3, 4

Dedicated preamplifiers



„all-in-one“ AIP



programmable PIP



standard MIP



small SIP-T08