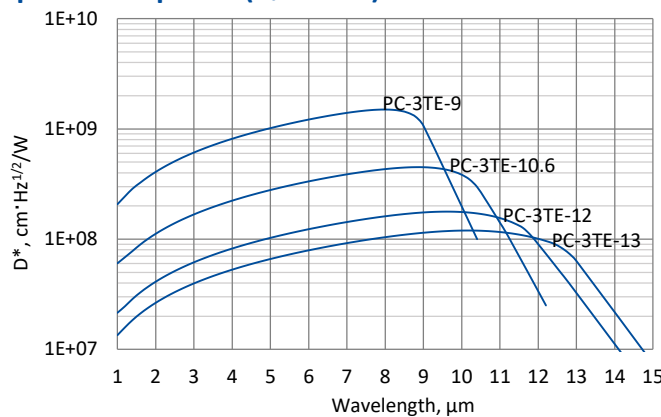


## PC-3TE series

### 1.0 – 15.0 μm HgCdTe three-stage thermoelectrically cooled photoconductive detectors

**PC-3TE series** features three-stage thermoelectrically cooled IR photoconductive detectors based on sophisticated HgCdTe heterostructures for the best performance and stability. The devices are optimized for the maximum performance at  $\lambda_{opt}$ . The devices should operate in optimum bias voltage and current readout mode. Performance at low frequencies is reduced due to  $1/f$  noise. The  $1/f$  noise corner frequency increases with the cut-off wavelength.  $3^\circ$  wedged zinc selenide anti-reflection coated (wZnSeAR) window prevents unwanted interference effects.

#### Spectral response ( $T_a = 20^\circ\text{C}$ )



Exemplary spectral detectivity, the spectral response of delivered devices may differ.

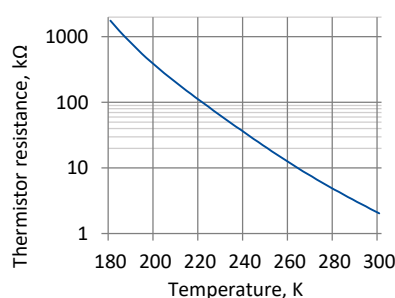
#### Specification ( $T_a = 20^\circ\text{C}$ )

Parameter	Detector type			
	PC-3TE-9	PC-3TE-10.6	PC-3TE-12	PC-3TE-13
Active element material	epitaxial HgCdTe heterostructure			
Optimal wavelength $\lambda_{opt}$ , μm	9.0	10.6	12.0	13.0
Detectivity $D^*(\lambda_{peak}, 20\text{kHz})$ , $\text{cm}\cdot\text{Hz}^{1/2}/\text{W}$	$\geq 1.5 \times 10^9$	$\geq 4.5 \times 10^8$	$\geq 1.8 \times 10^8$	$\geq 1.2 \times 10^8$
Detectivity $D^*(\lambda_{opt}, 20\text{kHz})$ , $\text{cm}\cdot\text{Hz}^{1/2}/\text{W}$	$\geq 1.0 \times 10^9$	$\geq 2.5 \times 10^8$	$\geq 9.0 \times 10^7$	$\geq 6.0 \times 10^7$
Current responsivity-active area length product $R_i(\lambda_{opt}) \cdot L$ , $\text{A}\cdot\text{mm}/\text{W}$	$\geq 0.075$	$\geq 0.02$	$\geq 0.01$	$\geq 0.007$
Time constant $\tau$ , ns	$\leq 60$	$\leq 20$	$\leq 5$	$\leq 4$
$1/f$ noise corner frequency $f_c$ , Hz	$\leq 10\text{k}$		$\leq 20\text{k}$	
Bias voltage-active area length ratio $V_b/L$ , V/mm	$\leq 2.0$		$\leq 1.5$	
Resistance $R$ , $\Omega$	$\leq 400$		$\leq 300$	
Active element temperature $T_{det}$ , K	$\sim 210$			
Active area $A$ , $\text{mm}\times\text{mm}$	0.05×0.05, 0.1×0.1, 0.25×0.25, 0.5×0.5, 1×1, 2×2			
Package	TO8, TO66			
Acceptance angle $\Phi$	$\sim 70^\circ$			
Window	wZnSeAR			

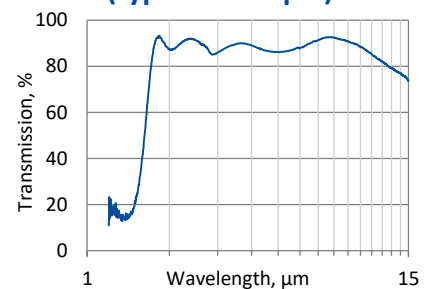
#### Three-stage thermoelectric cooler parameters

Parameter	Value
$T_{det}$ , K	$\sim 210$
$V_{max}$ , V	3.6
$I_{max}$ , A	0.45
$Q_{max}$ , W	0.27

#### Thermistor characteristics

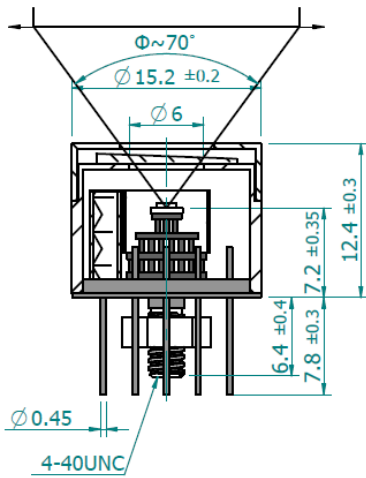


#### Spectral transmission of wZnSeAR window (typical example)



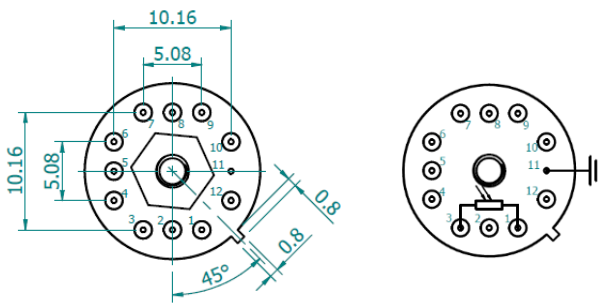
### Mechanical layout, mm

#### 3TE-TO8 package



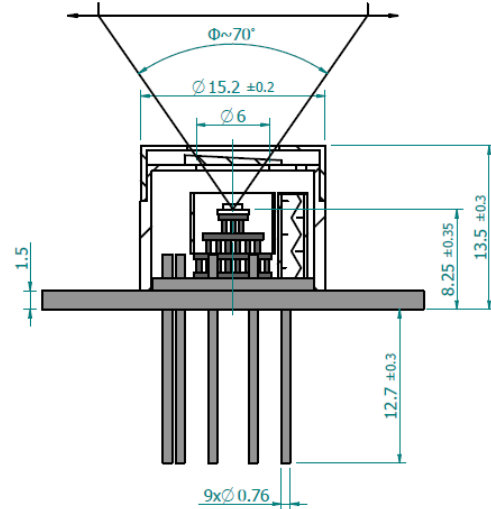
Φ – acceptance angle

#### Bottom view



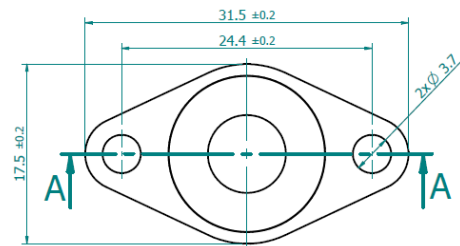
Function	Pin number
Detector	1, 3
Thermistor	7, 9
TE cooler supply	2(+), 8(-)
Chassis ground	11
Not used	4, 5, 6, 10, 12

#### 3TE-TO66 package

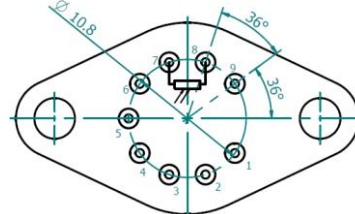


Φ – acceptance angle

#### Top view



#### Bottom view



Function	Pin number
Detector	7, 8
Thermistor	5, 6
TE cooler supply	1(+), 9(-)
Not used	2, 3, 4

### Dedicated preamplifiers



„all-in-one“ AIP



programmable PIP



standard MIP



small SIP-TO8