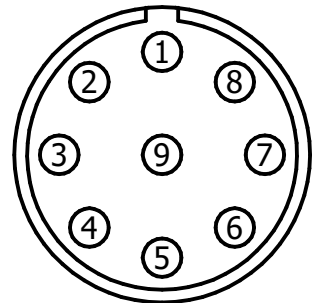
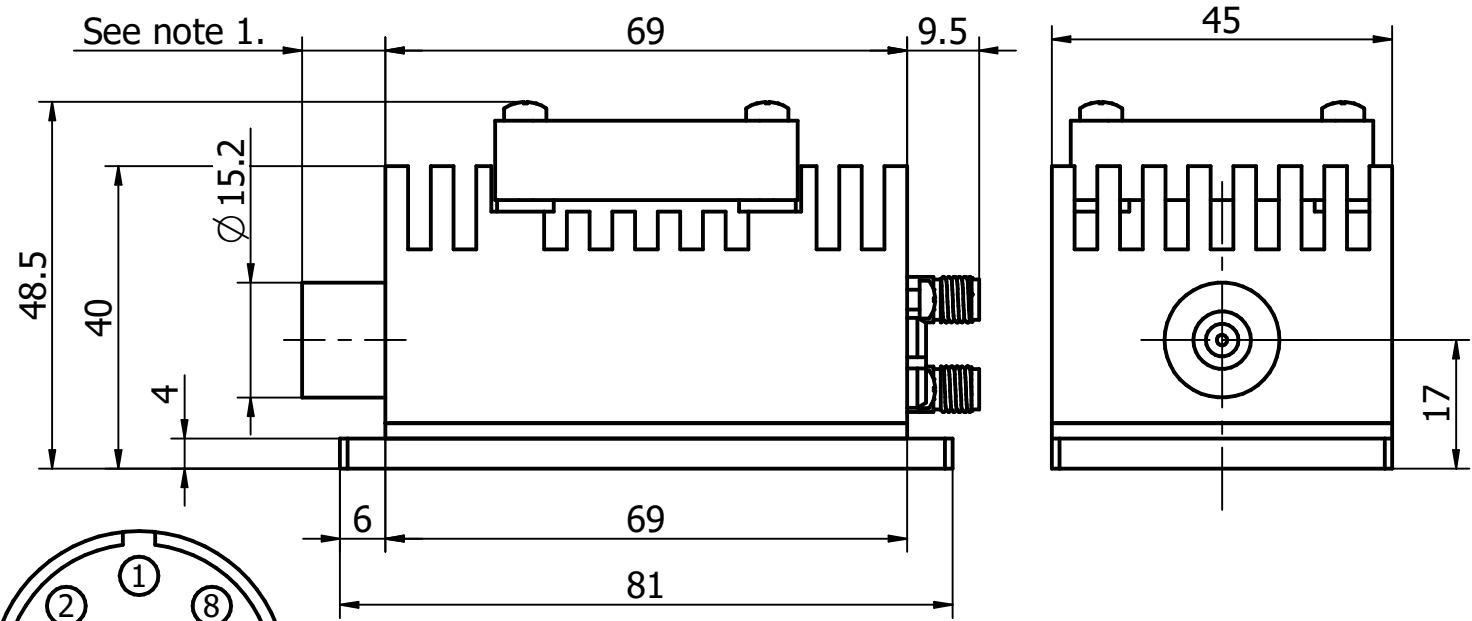
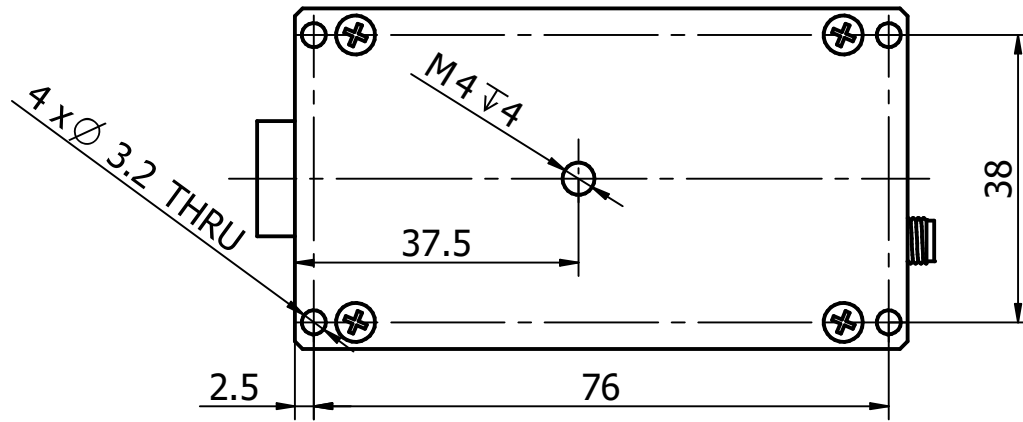
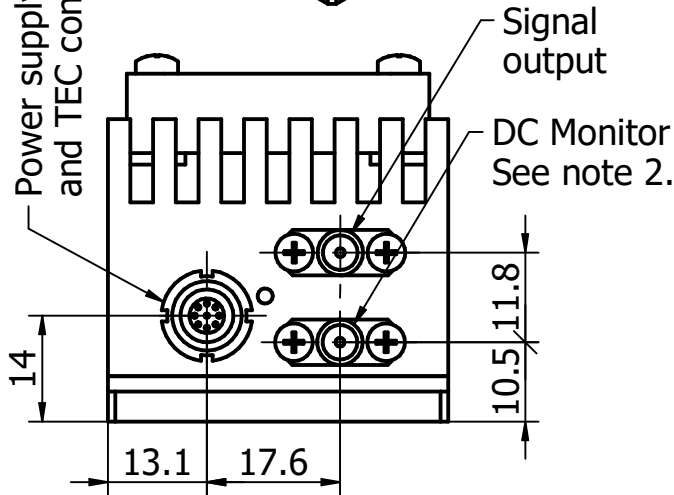


Power supply and TEC controller



Power supply and TEC control socket
LEMO (female) ECG.0B.309.CLN

Pin No.	Symbol	Function
1	FAN+	Fan (+)
2	TH2	Thermistor output (2)
3	TEC-	TEC supply input (-)
4	-Vsup	Power supply input (-)
5	GND	Ground
6	+Vsup	Power supply input (+)
7	TEC+	TEC supply input (+)
8	TH1	Thermistor output (1)
9	DATA	Data pin

NOTES:

1. TO8 detector dimensions in the "TO8 technical drawing".
2. Only for FIP-xx-xx-D version.



UNIT: mm
GENERAL TOLERANCE:
ISO 2768-mK

Scale
1:1

Sheet
1/1

Size
A4

This document is the property of VIGO System S.A. and may not be disclosed to third parties, copied or used in whole or in part for any purpose without written permission from VIGO System S.A.

Date
13.12.2019

Drawing No.
FIP-xx-xx-x

Rev.
0

Title
FIP preamplifier

