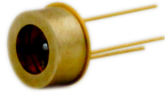
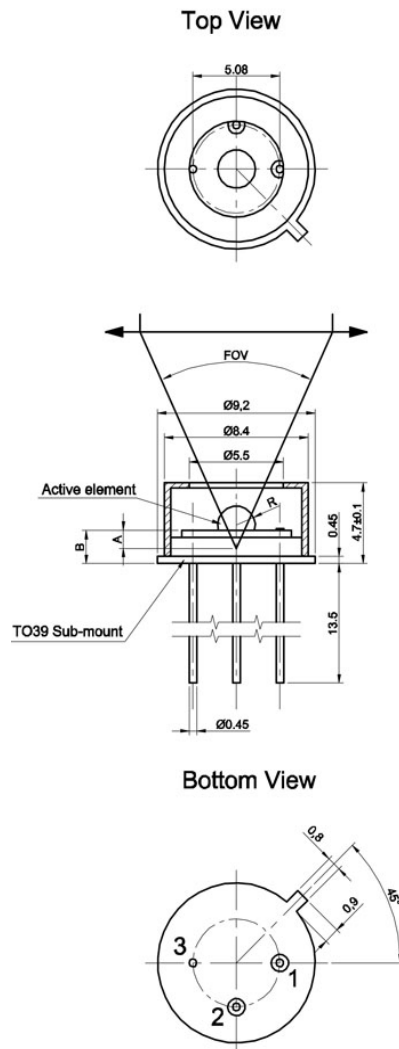


TO39 Packages

Windowless TO39-based packages are typically used for uncooled detectors MPC, PC, PCI, PV, PVI and PVMI devices.



Dimensions in millimeters.



Signal 1(+), 2(-), 3(GND)

	Hyperhemisphere				Hemisphere	Flat
Detector optical area [mm ²]	0.5×0.5	1×1	2×2	3×3	0.5×0.5 – 3×3	0.01×0.01 – 4×4
R [mm]	0.5	0.8	1.25	1.6	0.5-1.6	∞
A [mm]	1.5±0.2	2.4±0.2	3.75±0.2	4.8±0.2	0	0
B [mm]	1.9±0.2	1.9±0.2	1.9±0.2	1.9±0.2	1.9±0.2	1.9±0.2
FOV	~36°	~36°	~36°	~36°	~90°	~90°